





COLOUR OPTIONS ARE MADE TO ORDER - NO REFUND - NO RETURN -

<b>BLACK FINISH</b>

<b>MODEL No: SDTSD32322</b>

<b>BISCUIT FINISH</b>

<b>MODEL No: SDTSD32323</b>

Valley's double threshold, center drain acrylic shower bases are meant to be installed a corner setting. All acrylic shower bases have been redesigned with a minimal 3" threshold.

**STAINLESS STEEL DRAIN COVER NOT INCLUDED SOLD SEPARATELY.**

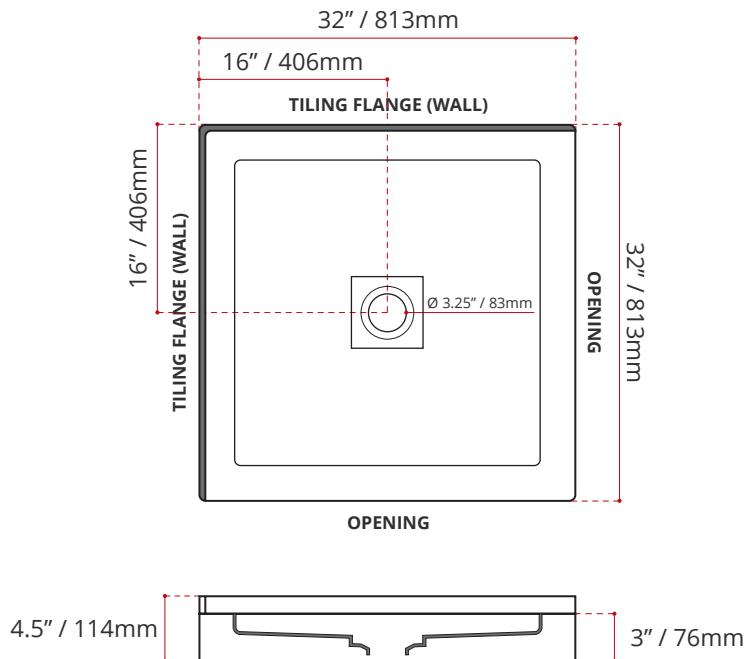
**CUSTOMIZE YOUR SHOWER BASE**

ALL UPCHARGE OPTIONS ARE MADE TO ORDER - NO REFUND - NO RETURN -

AVAILABLE CUSTOMIZATION OPTIONS	MODEL No.
TEXTURED BOTTOM	<b>C4</b>
DOUBLE TILING FLANGE	<b>C5</b>
TEXTURED BOTTOM + DOUBLE TILING FLANGE	<b>C45</b>

DESCRIPTION:
<ul style="list-style-type: none"> <li>• Double Threshold / Opening</li> <li>• <b>White Finish</b></li> <li>• <b>Left or right hand threshold opening</b></li> <li>• <b>Center Drain</b></li> <li>• High gloss / Crack-resistant acrylic.</li> <li>• Made in Canada.</li> <li>• Complies with CSA &amp; IAPMO standards.</li> </ul>

SHIPPING INFORMATION:
<ul style="list-style-type: none"> <li>• <b>Length:</b> 34" / 864mm</li> <li>• <b>Width:</b> 34" / 864mm</li> <li>• <b>Height:</b> 8" / 203mm</li> <li>• <b>Net Weight:</b> 17 kg / 37lbs</li> <li>• <b>Gross Weight:</b> 20 kg / 44lbs</li> </ul>



DISCLAIMER: Measurements may vary ± 1/4" (Diagram Not to scale)

