



DESCRIPTION:

- Single bowl 10° radius kitchen sink
- Undermount install
- Handcrafted from T-304 brushed stainless steel
- Durable commercial-grade 18 gauge thickness
- Off-set Back Drain location
- Drain groove design
- StoneGuard undercoated over rubber pad
- Basket strainer included

MINIMUM CABINET SIZE:

32" / 813mm

SINK GRID OPTION

n/a

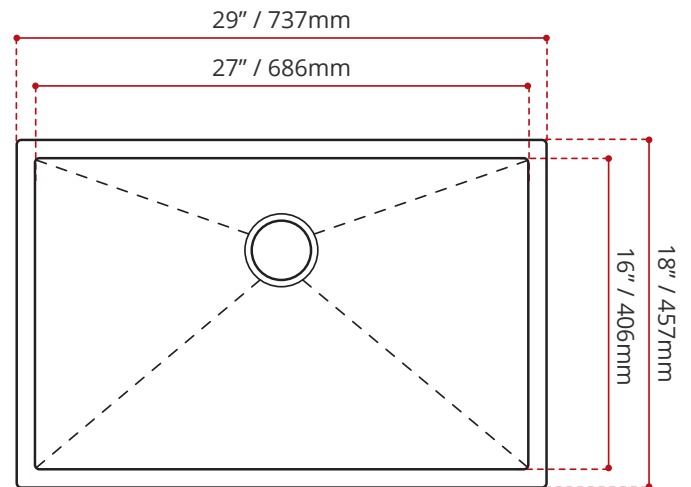
FINISH:



BRUSHED STAINLESS STEEL

SHIPPING INFORMATION:

- Length: 31" / 787mm
- Net Weight: 13 kg / 29 lbs.
- Width: 21" / 533mm
- Gross Weight: 16 kg / 35 lbs.
- Height: 13.5" / 343mm



DISCLAIMER:
 Measurements may vary ± 1/4"
 (Diagram Not to scale)