

Product images are for illustration purposes only. Actual product(s) may vary.

DESCRIPTION:

- Single bowl 10° radius kitchen sink
- Topmount install
- Handcrafted from T-304 brushed stainless steel
- Durable commercial-grade 16 gauge thickness
- 0.25" / 6mm lip.
- Off-set Back Drain location
- Drain groove design
- StoneGuard undercoated over rubber pad
- Sink grid and basket strainer included

MINIMUM CABINET SIZE:

30" / 762mm

SINK GRID OPTION

BG7241

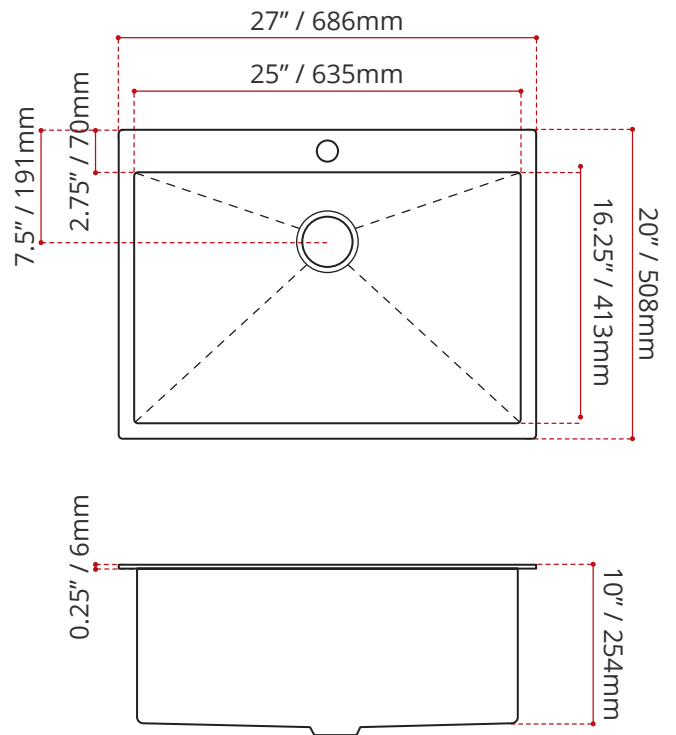
FINISH:



BRUSHED STAINLESS STEEL

SHIPPING INFORMATION:

- Length: 29" / 737mm
- Net Weight: 15 kg / 33 lbs.
- Width: 22" / 559mm
- Gross Weight: 18 kg / 40 lbs.
- Height: 12" / 305mm



DISCLAIMER:
Measurements may vary ± 1/4"
(Diagram Not to scale)