



COLOUR OPTIONS ARE MADE TO ORDER - NO REFUND - NO RETURN -

BLACK FINISH

MODEL No: SSTOD5430L2 (LEFT HAND DRAIN)
MODEL No: SSTOD5430R2 (RIGHT HAND DRAIN)

BISCUIT FINISH

MODEL No: SSTOD5430L3 (LEFT HAND DRAIN)
MODEL No: SSTOD5430R3 (RIGHT HAND DRAIN)

Valley's single threshold, offset drain acrylic shower bases are meant to be installed in an alcove setting. All acrylic shower bases have been redesigned with a minimal 3" threshold. Valley's acrylic shower bases are made at our facility in Mission, BC (Canada) out of high gloss, crack-resistant acrylic. Complies with CSA & IAPMO standards.

CUSTOMIZE YOUR SHOWER BASE

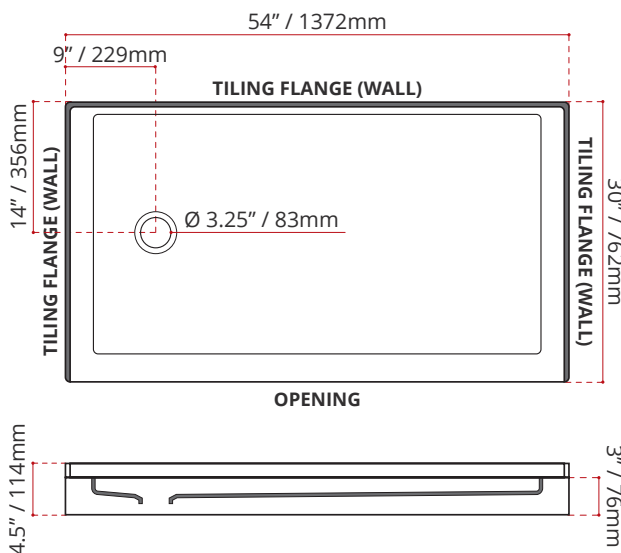
ALL UPCHARGE OPTIONS ARE MADE TO ORDER - NO REFUND - NO RETURN -

AVAILABLE CUSTOMIZATION OPTIONS	MODEL No.
TEXTURED BOTTOM	C4
DOUBLE TILING FLANGE	C5
TEXTURED BOTTOM + DOUBLE TILING FLANGE	C45

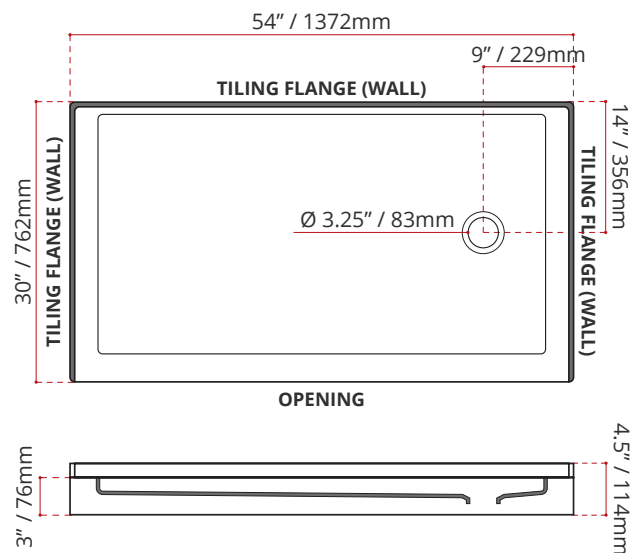
DESCRIPTION:
<ul style="list-style-type: none"> • Single Threshold / Opening • White Finish • Off set Drain • High gloss / Crack-resistant acrylic. • Made in Canada. • Complies with CSA & IAPMO standards.

SHIPPING INFORMATION:
<ul style="list-style-type: none"> • Length: 56" / 1422mm • Net Weight: 35 kg / 77lbs • Width: 34" / 864mm • Gross Weight: 40 kg / 88lbs • Height: 8" / 203mm

SSTOD5430L1
(LEFT HAND DRAIN LOCATION)



SSTOD5430R1
(RIGHT HAND DRAIN LOCATION)



DISCLAIMER: Measurements may vary ±1/4" (Diagram Not to scale)

