

LEFT HAND DRAIN LOCATION SHOWN

Product images are for illustration purposes only. Actual product(s) may vary.

COLOUR OPTIONS ARE MADE TO ORDER - NO REFUND - NO RETURN -

<b>BLACK FINISH</b>

MODEL No: SSTOD6036L2 (LEFT HAND DRAIN)
MODEL No: SSTOD6036R2 (RIGHT HAND DRAIN)

<b>BISCUIT FINISH</b>

MODEL No: SSTOD6036L3 (LEFT HAND DRAIN)
MODEL No: SSTOD6036R3 (RIGHT HAND DRAIN)

Valley's single threshold, offset drain acrylic shower bases are meant to be installed in an alcove setting. All acrylic shower bases have been redesigned with a minimal 3" threshold. Valley's acrylic shower bases are made at our facility in Mission, BC (Canada) out of high gloss, crack-resistant acrylic. Complies with CSA & IAPMO standards.

<b>DESCRIPTION:</b>
<ul style="list-style-type: none"> <li>• Single Threshold / Opening</li> <li>• <b>White Finish</b></li> <li>• Off set Drain</li> <li>• High gloss / Crack-resistant acrylic.</li> <li>• Made in Canada.</li> <li>• Complies with CSA &amp; IAPMO standards.</li> </ul>

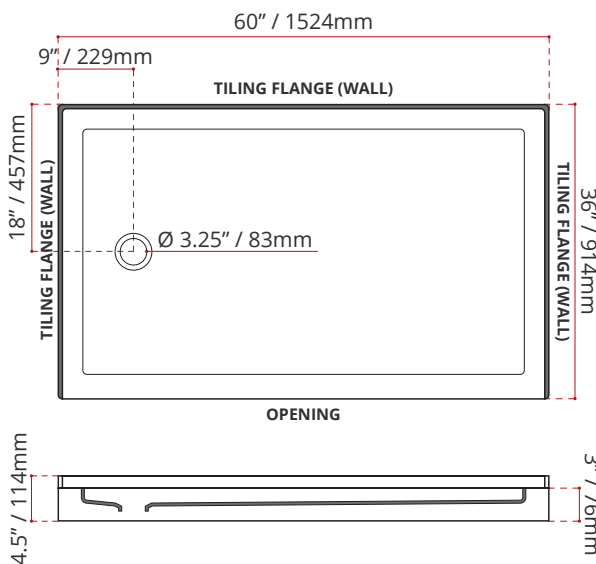
**CUSTOMIZE YOUR SHOWER BASE**

ALL UPCHARGE OPTIONS ARE MADE TO ORDER - NO REFUND - NO RETURN -

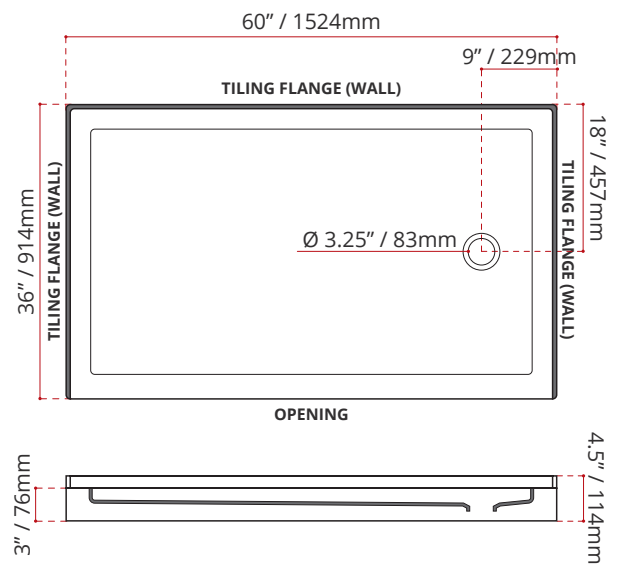
AVAILABLE CUSTOMIZATION OPTIONS	MODEL No.
TEXTURED BOTTOM	<b>C4</b>
DOUBLE TILING FLANGE	<b>C5</b>
TEXTURED BOTTOM + DOUBLE TILING FLANGE	<b>C45</b>

<b>SHIPPING INFORMATION:</b>
<ul style="list-style-type: none"> <li>• Length: 62" / 1575mm</li> <li>• Width: 38" / 965mm</li> <li>• Height: 8" / 203mm</li> <li>• Net Weight: 35 kg / 77lbs</li> <li>• Gross Weight: 40 kg / 88lbs</li> </ul>

**SSTOD6036L1**  
(LEFT HAND DRAIN LOCATION)



**SSTOD6036R1**  
(RIGHT HAND DRAIN LOCATION)



DISCLAIMER: Measurements may vary ±1/4" (Diagram Not to scale)

