



COLOUR OPTIONS ARE MADE TO ORDER - NO REFUND - NO RETURN -

BLACK FINISH

MODEL No: SSTOD6042L2 (LEFT HAND DRAIN)
MODEL No: SSTOD6042R2 (RIGHT HAND DRAIN)

BISCUIT FINISH

MODEL No: SSTOD6042L3 (LEFT HAND DRAIN)
MODEL No: SSTOD6042R3 (RIGHT HAND DRAIN)

Valley's single threshold, offset drain acrylic shower bases are meant to be installed in an alcove setting. All acrylic shower bases have been redesigned with a minimal 3" threshold. Valley's acrylic shower bases are made at our facility in Mission, BC (Canada) out of high gloss, crack-resistant acrylic. Complies with CSA & IAPMO standards.

DESCRIPTION:
<ul style="list-style-type: none"> • Single Threshold / Opening • White Finish • Off set Drain • High gloss / Crack-resistant acrylic. • Made in Canada. • Complies with CSA & IAPMO standards.

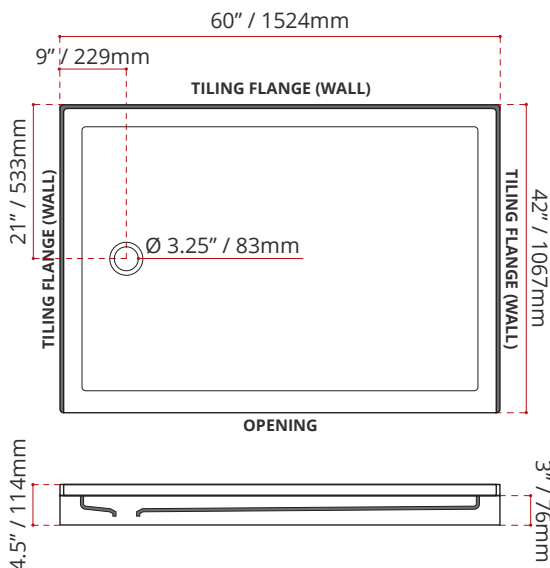
CUSTOMIZE YOUR SHOWER BASE

ALL UPCHARGE OPTIONS ARE MADE TO ORDER - NO REFUND - NO RETURN -

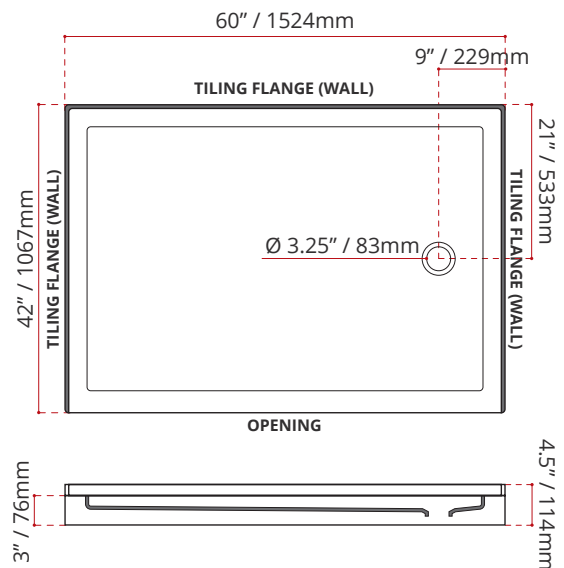
AVAILABLE CUSTOMIZATION OPTIONS	MODEL No.
TEXTURED BOTTOM	C4
DOUBLE TILING FLANGE	C5
TEXTURED BOTTOM + DOUBLE TILING FLANGE	C45

SHIPPING INFORMATION:
<ul style="list-style-type: none"> • Length: 62" / 1575mm • Net Weight: 27 kg / 59lbs • Width: 44" / 1118mm • Gross Weight: 30 kg / 66lbs • Height: 8" / 203mm

SSTOD6042L1
(LEFT HAND DRAIN LOCATION)



SSTOD6042R1
(RIGHT HAND DRAIN LOCATION)



DISCLAIMER: Measurements may vary ±1/4" (Diagram Not to scale)

