



COLOUR OPTIONS ARE MADE TO ORDER - NO REFUND - NO RETURN -

<b>BLACK FINISH</b>
MODEL No: SSTOD6632L2 (LEFT HAND DRAIN)
MODEL No: SSTOD6632R2 (RIGHT HAND DRAIN)

<b>BISCUIT FINISH</b>
MODEL No: SSTOD6632L3 (LEFT HAND DRAIN)
MODEL No: SSTOD6632R3 (RIGHT HAND DRAIN)

Valley's single threshold, offset drain acrylic shower bases are meant to be installed in an alcove setting. All acrylic shower bases have been redesigned with a minimal 3" threshold. Valley's acrylic shower bases are made at our facility in Mission, BC (Canada) out of high gloss, crack-resistant acrylic. Complies with CSA & IAPMO standards.

**CUSTOMIZE YOUR SHOWER BASE**

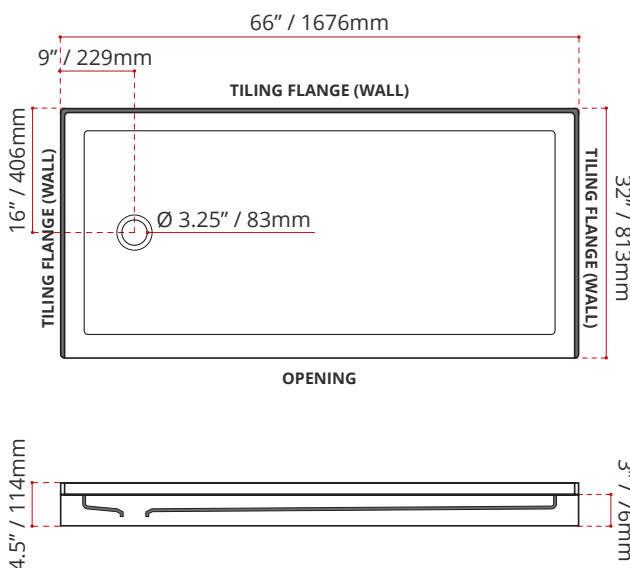
ALL UPCHARGE OPTIONS ARE MADE TO ORDER - NO REFUND - NO RETURN -

AVAILABLE CUSTOMIZATION OPTIONS	MODEL No.
TEXTURED BOTTOM	<b>C4</b>
DOUBLE TILING FLANGE	<b>C5</b>
TEXTURED BOTTOM + DOUBLE TILING FLANGE	<b>C45</b>

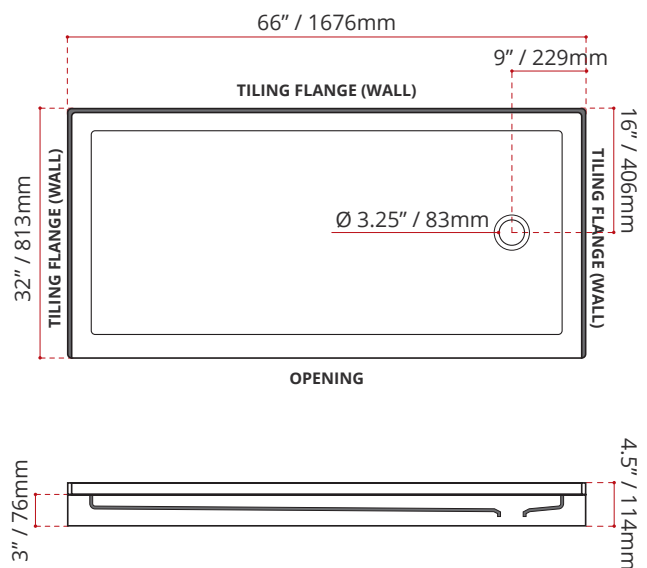
- DESCRIPTION:**
- Single Threshold / Opening
  - **White Finish**
  - Off set Drain
  - High gloss / Crack-resistant acrylic.
  - Made in Canada.
  - Complies with CSA & IAPMO standards.

- SHIPPING INFORMATION:**
- **Length:** 68" / 1727mm
  - **Net Weight:** 30 kg / 66lbs
  - **Width:** 34" / 864mm
  - **Gross Weight:** 35 kg / 77lbs
  - **Height:** 8" / 203mm

**SSTOD6632L1**  
(LEFT HAND DRAIN LOCATION)



**SSTOD6632R1**  
(RIGHT HAND DRAIN LOCATION)



DISCLAIMER: Measurements may vary ±1/4" (Diagram Not to scale)

