




Product images are for illustration purposes only. Actual product(s) may vary.


COLOUR OPTIONS ARE MADE TO ORDER - NO REFUND - NO RETURN -

BLACK FINISH



MODEL No: STTCD60362

BISCUIT FINISH



MODEL No: STTCD60363

Valley's triple threshold, acrylic shower bases have three openings and a tiling flange across the back wall. All acrylic shower bases have been redesigned with a minimal 3" threshold. Complies with CSA & IAPMO standards.

- DESCRIPTION:**
- Triple Threshold / Opening
 - **White Finish**
 - Center Drain
 - High gloss / Crack-resistant acrylic.
 - Made in Canada.
 - Complies with CSA & IAPMO standards.

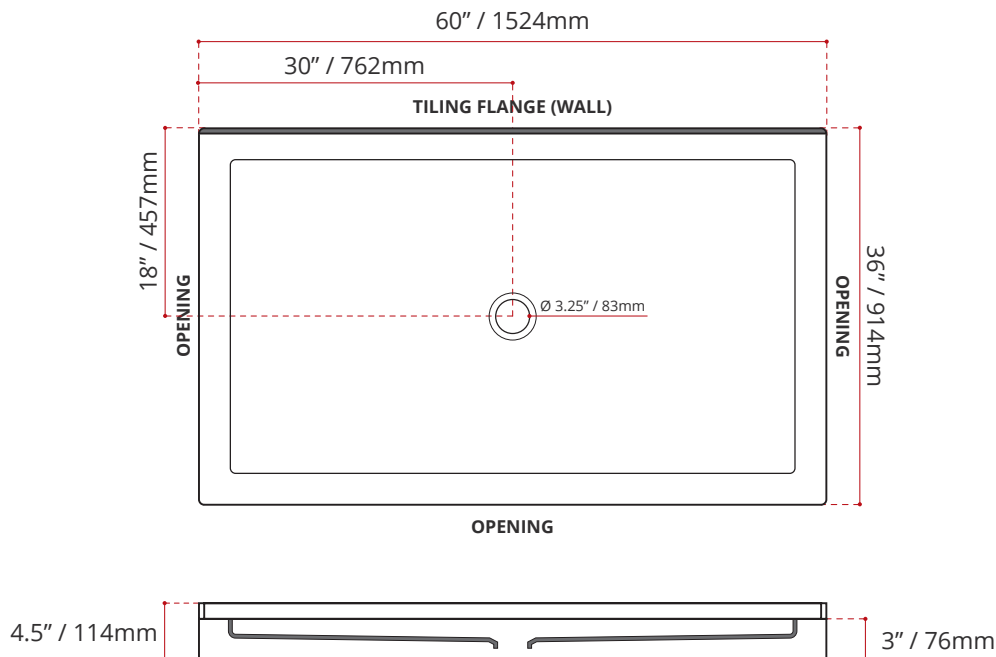
CUSTOMIZE YOUR SHOWER BASE

ALL UPCHARGE OPTIONS ARE MADE TO ORDER - NO REFUND - NO RETURN -

AVAILABLE CUSTOMIZATION OPTIONS	MODEL No.
TEXTURED BOTTOM	C4
DOUBLE TILING FLANGE	C5
TEXTURED BOTTOM + DOUBLE TILING FLANGE	C45

SHIPPING INFORMATION:

- Length: 62" / 1575mm
- Net Weight: 35 kg / 77lbs
- Width: 38" / 965mm
- Gross Weight: 40 kg / 88lbs
- Height: 8" / 203mm



DISCLAIMER: Measurements may vary ± 1/4" (Diagram Not to scale)

