





COLOUR OPTIONS ARE MADE TO ORDER - NO REFUND - NO RETURN -

BLACK FINISH



MODEL No: STTCD72302

BISCUIT FINISH



MODEL No: STTCD72303

Valley's triple threshold, acrylic shower bases have three openings and a tiling flange across the back wall. All acrylic shower bases have been redesigned with a minimal 3" threshold. Complies with CSA & IAPMO standards.

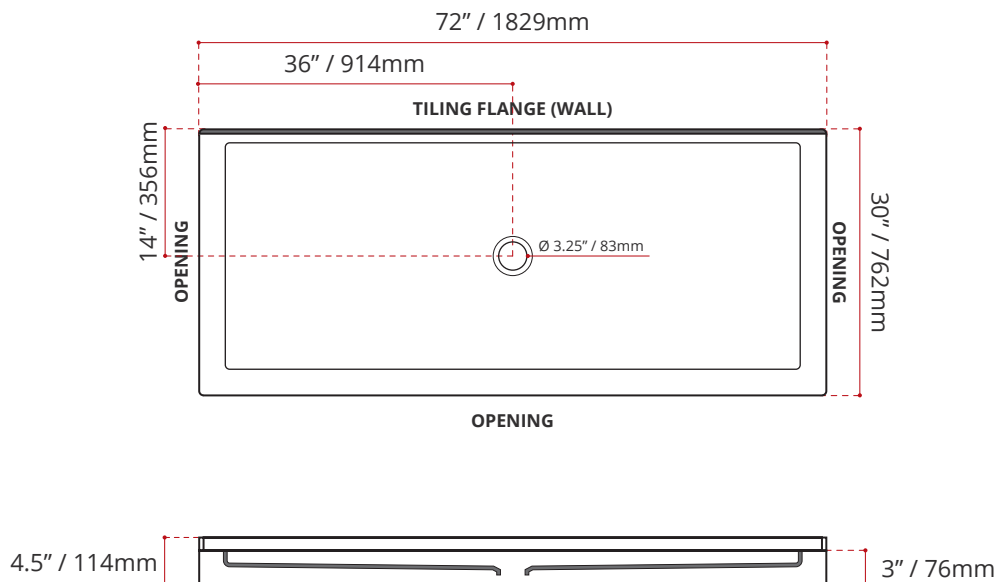
- DESCRIPTION:**
- Triple Threshold / Opening
 - **White Finish**
 - Center Drain
 - High gloss / Crack-resistant acrylic.
 - Made in Canada.
 - Complies with CSA & IAPMO standards.

CUSTOMIZE YOUR SHOWER BASE

ALL UPCHARGE OPTIONS ARE MADE TO ORDER - NO REFUND - NO RETURN -

AVAILABLE CUSTOMIZATION OPTIONS	MODEL No.
TEXTURED BOTTOM	C4
DOUBLE TILING FLANGE	C5
TEXTURED BOTTOM + DOUBLE TILING FLANGE	C45

- SHIPPING INFORMATION:**
- Length: 74" / 1880mm
 - Net Weight: 35 kg / 77lbs
 - Width: 34" / 864mm
 - Gross Weight: 40 kg / 88lbs
 - Height: 8" / 203mm



DISCLAIMER: Measurements may vary $\pm \frac{1}{4}"$ (Diagram Not to scale)

