




COLOUR OPTIONS ARE MADE TO ORDER - NO REFUND - NO RETURN -

BLACK FINISH

MODEL No: STTLD6032L2 (LEFT HAND DRAIN)
MODEL No: STTLD6032R2 (RIGHT HAND DRAIN)

BISCUIT FINISH

MODEL No: STTLD6032L3 (LEFT HAND DRAIN)
MODEL No: STTLD6032R3 (RIGHT HAND DRAIN)

Valley's triple threshold, offset linear drain acrylic shower bases have three openings and a tiling flange across the back wall. Complies with CSA & IAPMO standards.

DESCRIPTION:
<ul style="list-style-type: none"> • Triple Threshold / Opening • White finish • Off-set Drain location • Default white linear drain cover included • High gloss / Crack-resistant acrylic • Made in Canada • Complies with CSA & IAPMO standards.

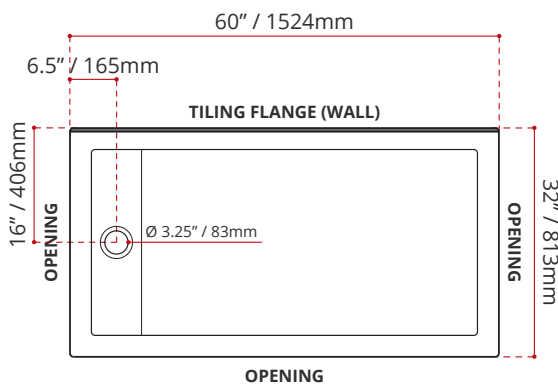
CUSTOMIZE YOUR SHOWER BASE

ALL UPCHARGE OPTIONS ARE MADE TO ORDER - NO REFUND - NO RETURN -

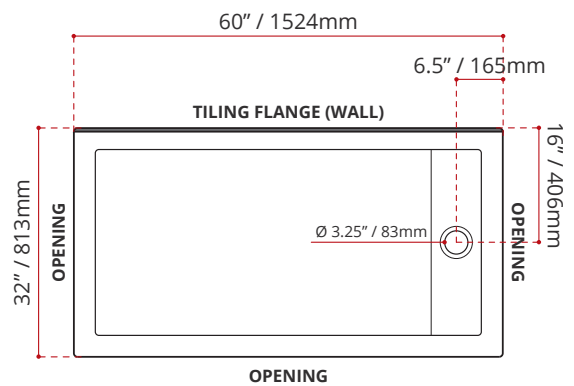
AVAILABLE CUSTOMIZATION OPTIONS	MODEL No.
TEXTURED BOTTOM	C4
DOUBLE TILING FLANGE	C5
TEXTURED BOTTOM + DOUBLE TILING FLANGE	C45

SHIPPING INFORMATION:
<ul style="list-style-type: none"> • Length: 62" / 1575mm • Width: 34" / 864mm • Height: 8" / 203mm • Net Weight: 24 kg / 53lbs • Gross Weight: 27 kg / 59.5lbs

STTLD6032L1
(LEFT HAND DRAIN LOCATION)



STTLD6032R1
(RIGHT HAND DRAIN LOCATION)



DISCLAIMER: Measurements may vary ±1/4" (Diagram Not to scale)

