

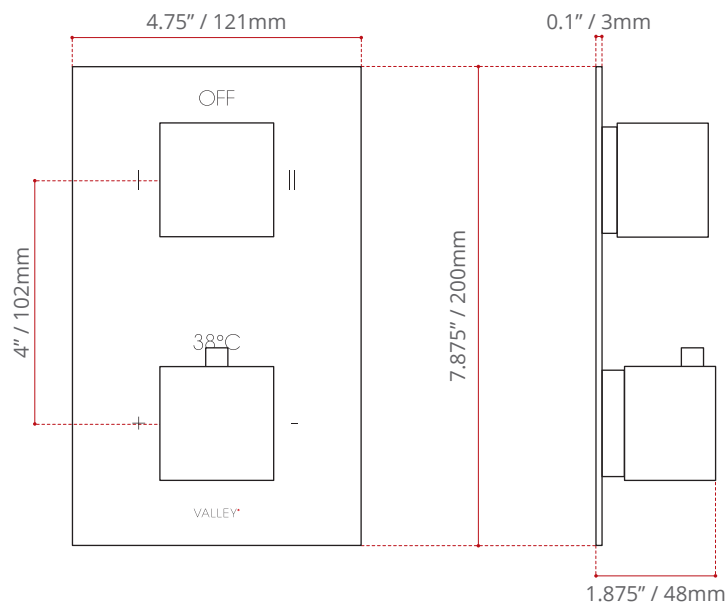


DESCRIPTION:

- Double handle square trim kit with 2 way built-in diverter
- Chrome finish
- For use with 000.692.000 Universal rough-in (sold separately)
- Rough-in not included
- Corrosion & discolouration resistant
- Complies with CSA & IAPMO standards

SHIPPING INFORMATION:

- **Length:** 8.85" / 225 mm
- **Width:** 8.26" / 210 mm
- **Height:** 3.54" / 90 mm
- **Net Weight:** 0.96 kg / 2.1 lbs.
- **Gross Weight:** 1.2 kg / 2.6 lbs.



DISCLAIMER:

Measurements may vary $\pm \frac{1}{4}$ "
(Diagram Not to scale)