

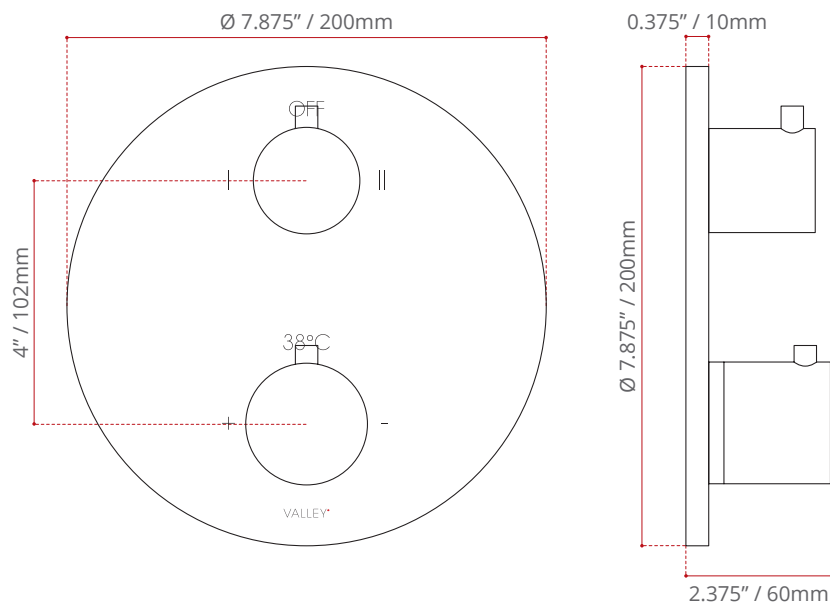


## DESCRIPTION:

- Double handle round trim kit with 2 way built-in diverter
- Chrome finish
- For use with 000.692.000 Universal rough-in (sold separately)
- Rough-in not included
- Corrosion & discolouration resistant
- Complies with CSA & IAPMO standards

## SHIPPING INFORMATION:

- **Length:** 8.85" / 225 mm
- **Width:** 8.26" / 210 mm
- **Height:** 3.54" / 90 mm
- **Net Weight:** 0.73 kg / 1.6 lbs.
- **Gross Weight:** 1 kg / 2.2 lbs.



DISCLAIMER:  
Measurements may vary  $\pm \frac{1}{4}$ "  
(Diagram Not to scale)