

# VA102WHT WALL-HUNG TOILET INSTALLATION GUIDE



Thank you for choosing Valley Acrylic Products. This installation manual provides general information on the installation of our products.

All the information in this guide is based upon the most recent product information available at the time of this publication. Valley Acrylic reserves the right to make changes to product characteristics, packaging, or availability at any time without notice.

*Thank you for your purchase!*

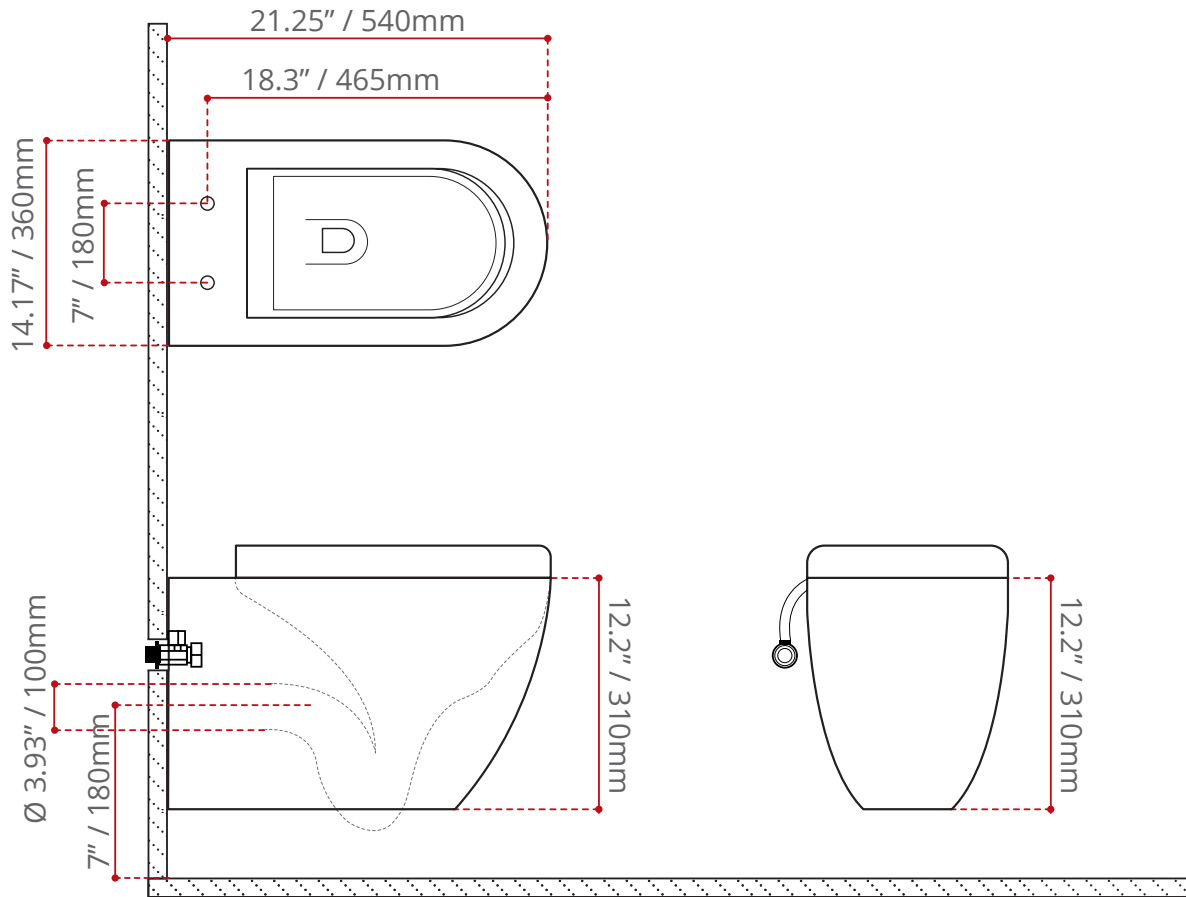


Please unpack and inspect all parts carefully to make sure they are complete and not damaged. If any parts are damaged or missing, please contact the authorized dealer you purchased the product through.

## **BEFORE YOU BEGIN**

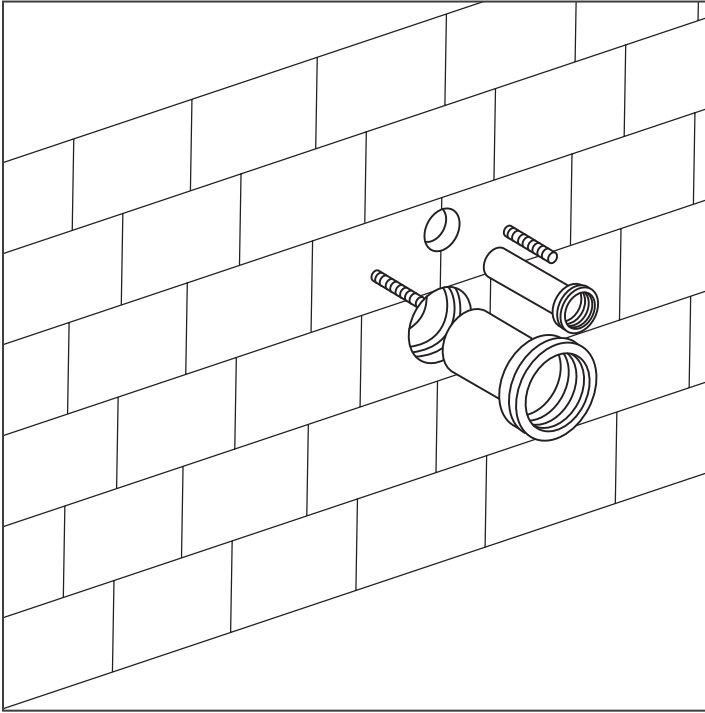
- Please read these instructions carefully before beginning your installation.
- Consult your local building codes to ensure that your installation complies with local standards.
- Remove the unit from its packaging. Before disposing, packaging and taking unit from your sales person, inspect the unit to make sure it is in good shape.
- Should inspection reveal any damage or defect in the finish, please contact the authorized dealer you purchased the product through. The warranty does not cover damages or defects in the finish once the unit has been installed. Valley's responsibility for shipping damages ceases upon delivery of the product in good order to the carrier. All complaints regarding damage due to transport must be made directly to the carrier.
- Please refer to your product's specification sheet and ensure that both your unit and build plan measure match the stated sizes.

### SPECS

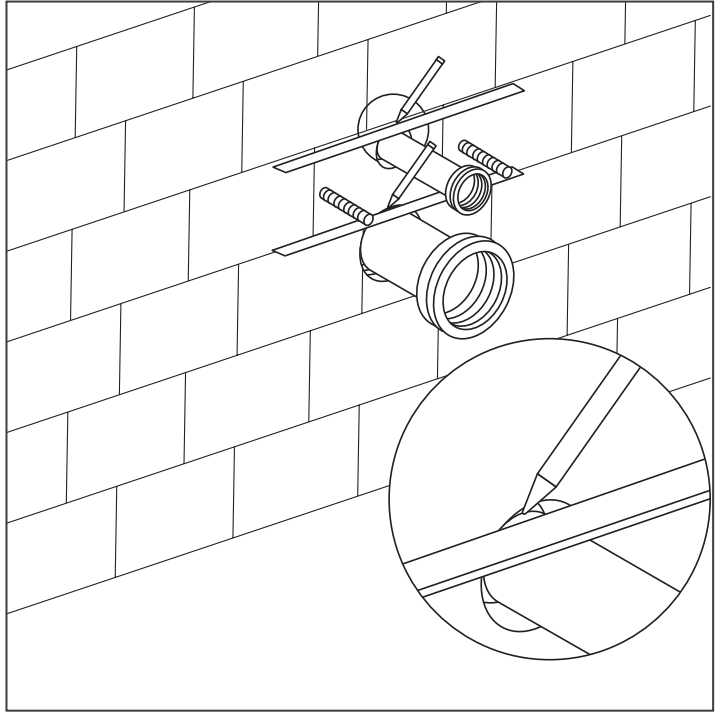


**DISCLAIMER:**  
Measurements may vary  $\pm \frac{1}{4}$ "  
(Diagram Not to scale)

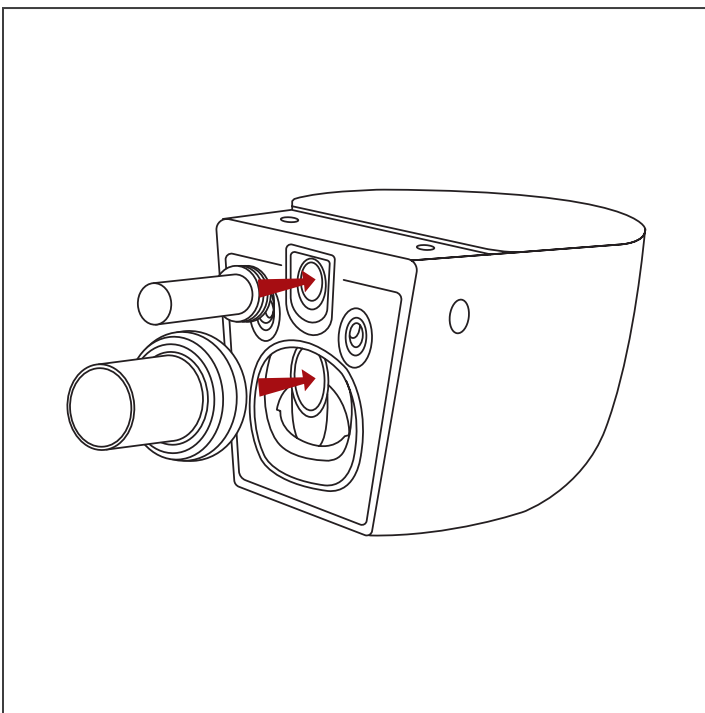
- 01** Fully insert the straight tube into the cistern flushing outlet and to the connecting pipe into the discharging outlet.



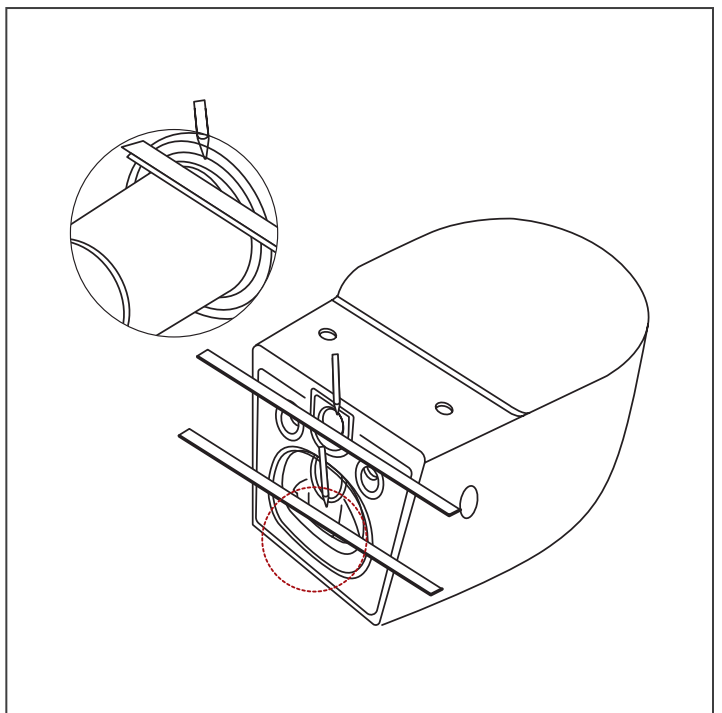
- 02** Draw the guide lines as shown.



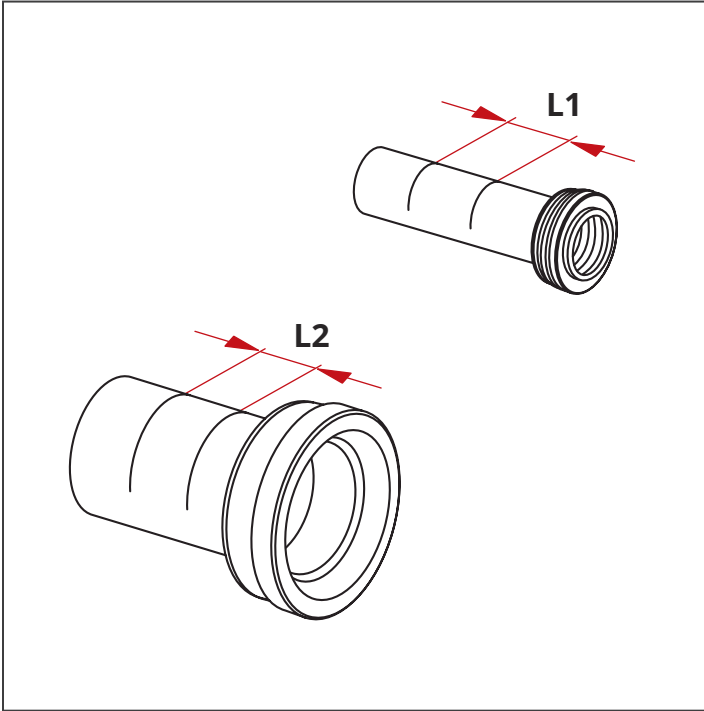
- 03** Apply lubricant on rubber washers of the straight tube and connecting pipe, then insert into the ceramic holes as shown.



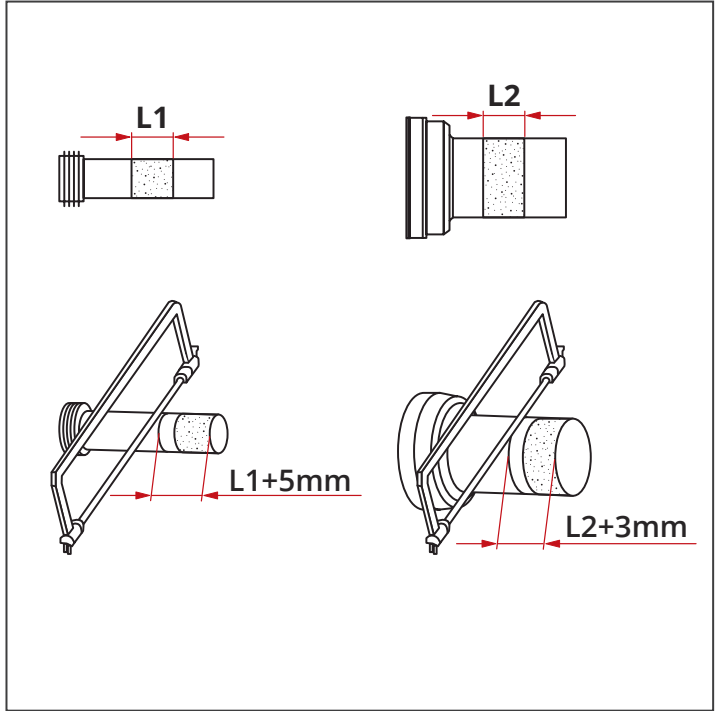
- 04** Draw the guide lines as shown.



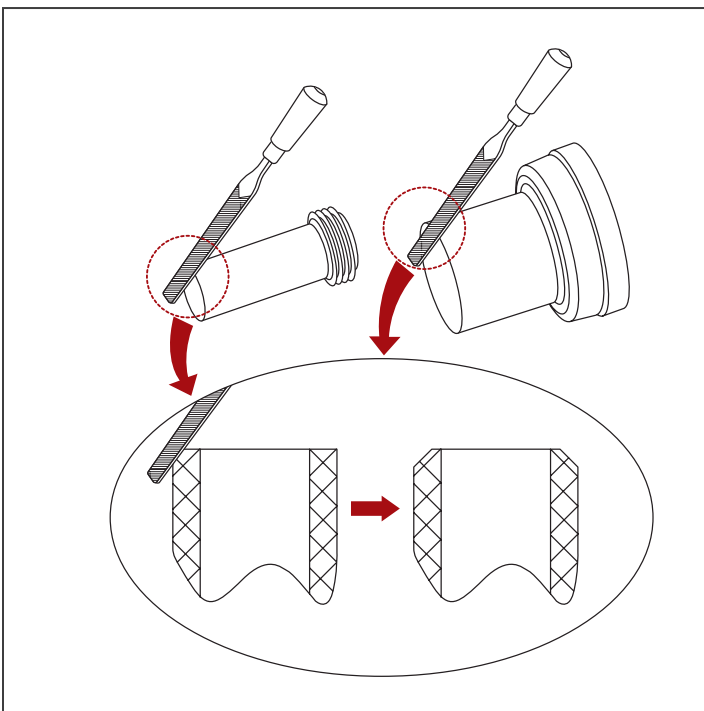
- 05** L1: Distance between the two lines on the straight tube  
L2: Distance between the two lines on the connecting pipe



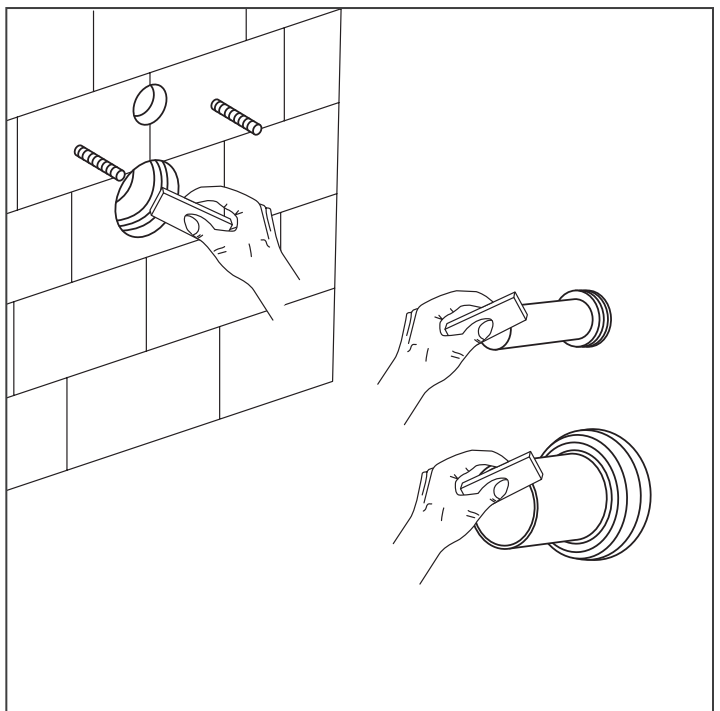
- 06** Cut the straight tube and connecting pipe as shown



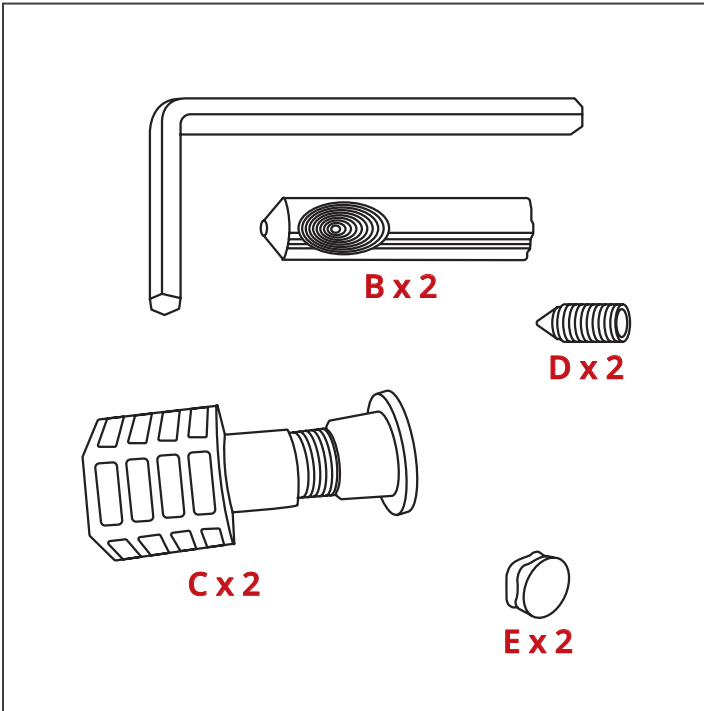
- 07** Polish the cutting surface to get chamfer angle as per drawing and deburring



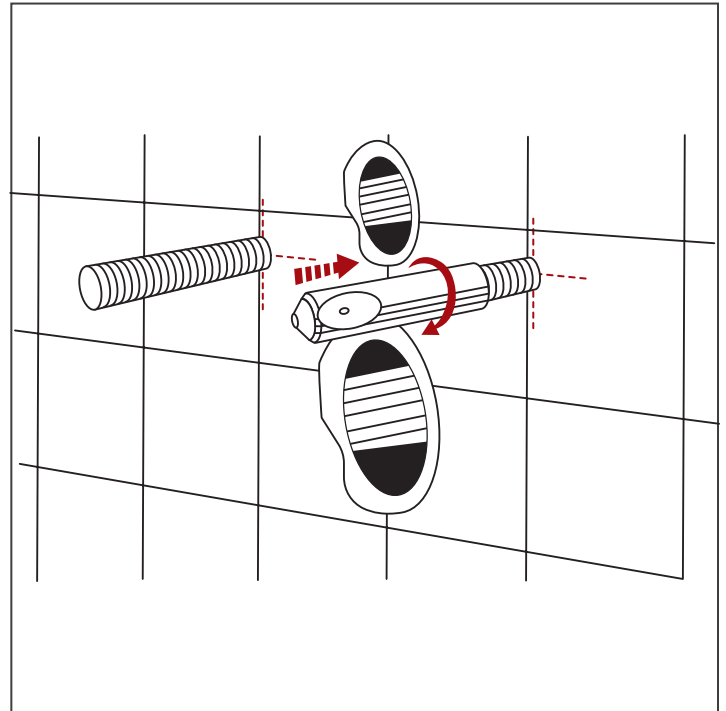
- 08** Apply lubricant on the surface of straight tube joint and connecting pipe joint.



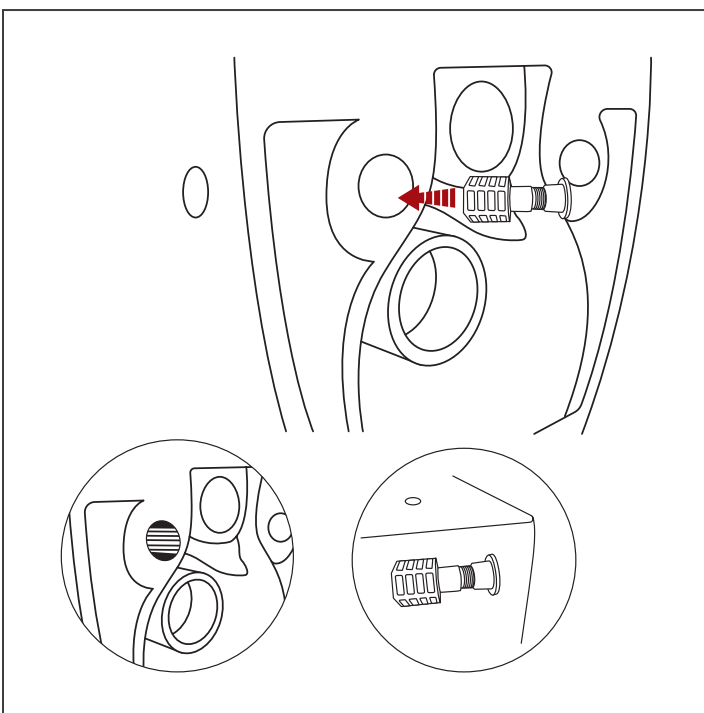
### 09 Accessories



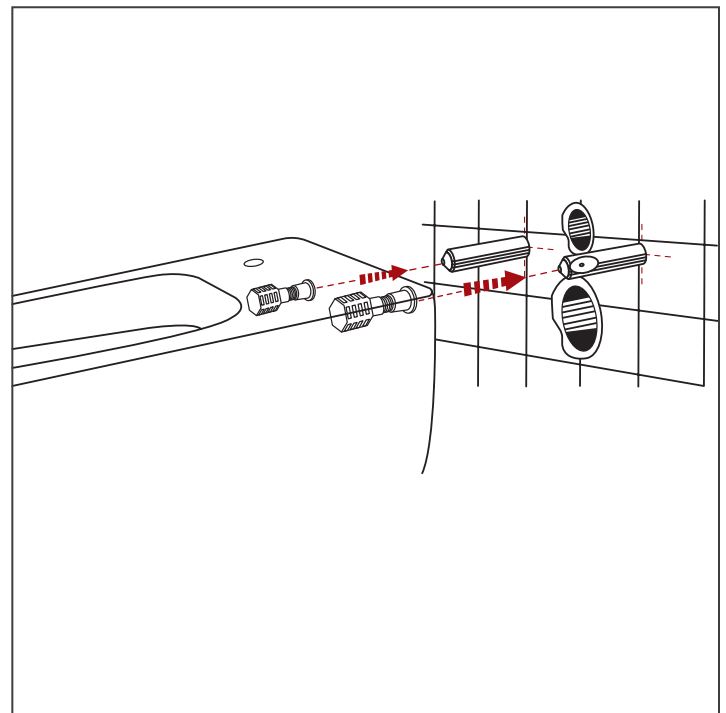
### 10 Fix part B into the screw as shown



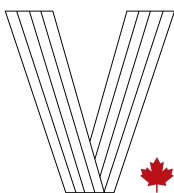
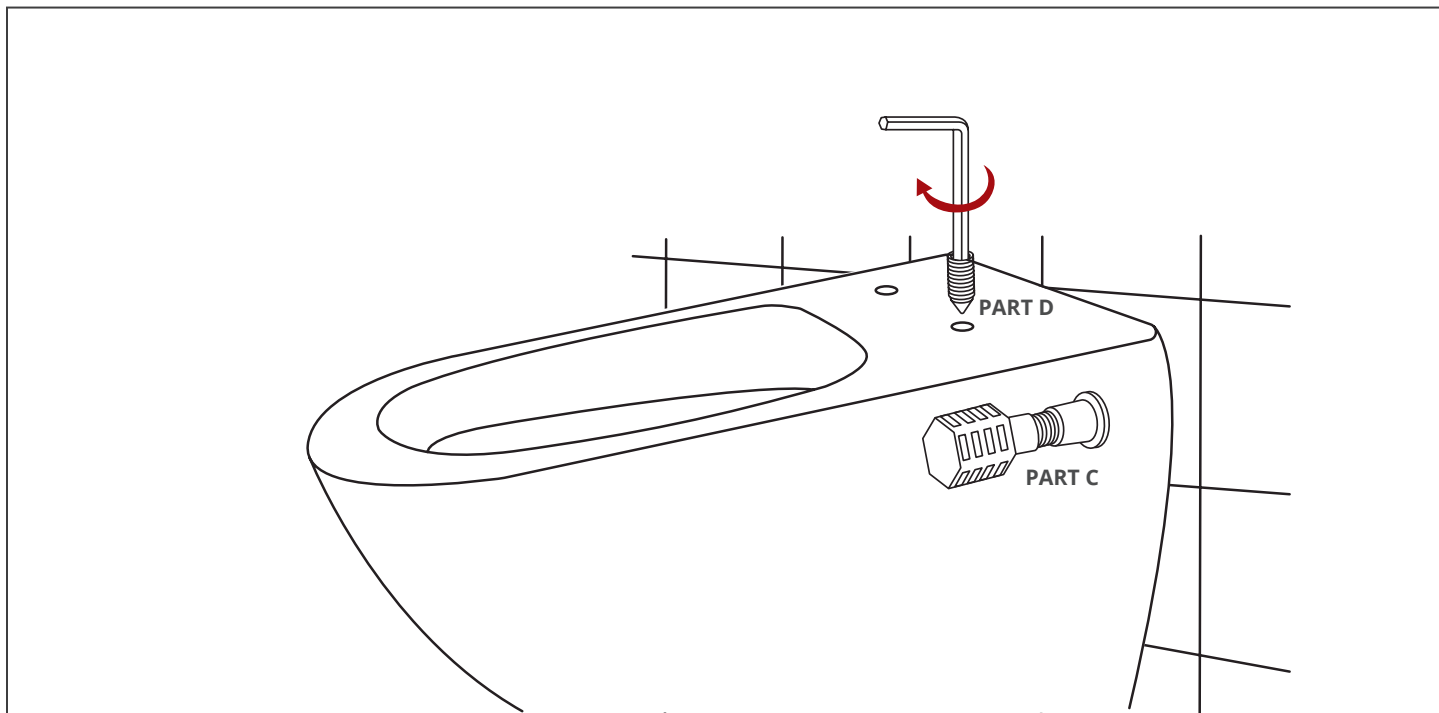
### 11 Put part C into the installing hole on the pan



### 12 Insert part C into part B



13



**VALLEY<sup>+</sup>**

*...you dream it, we create it*

***Congratulations you are now a part of the Valley Acrylic Family, and an owner of the best quality sanitation products in the country.***