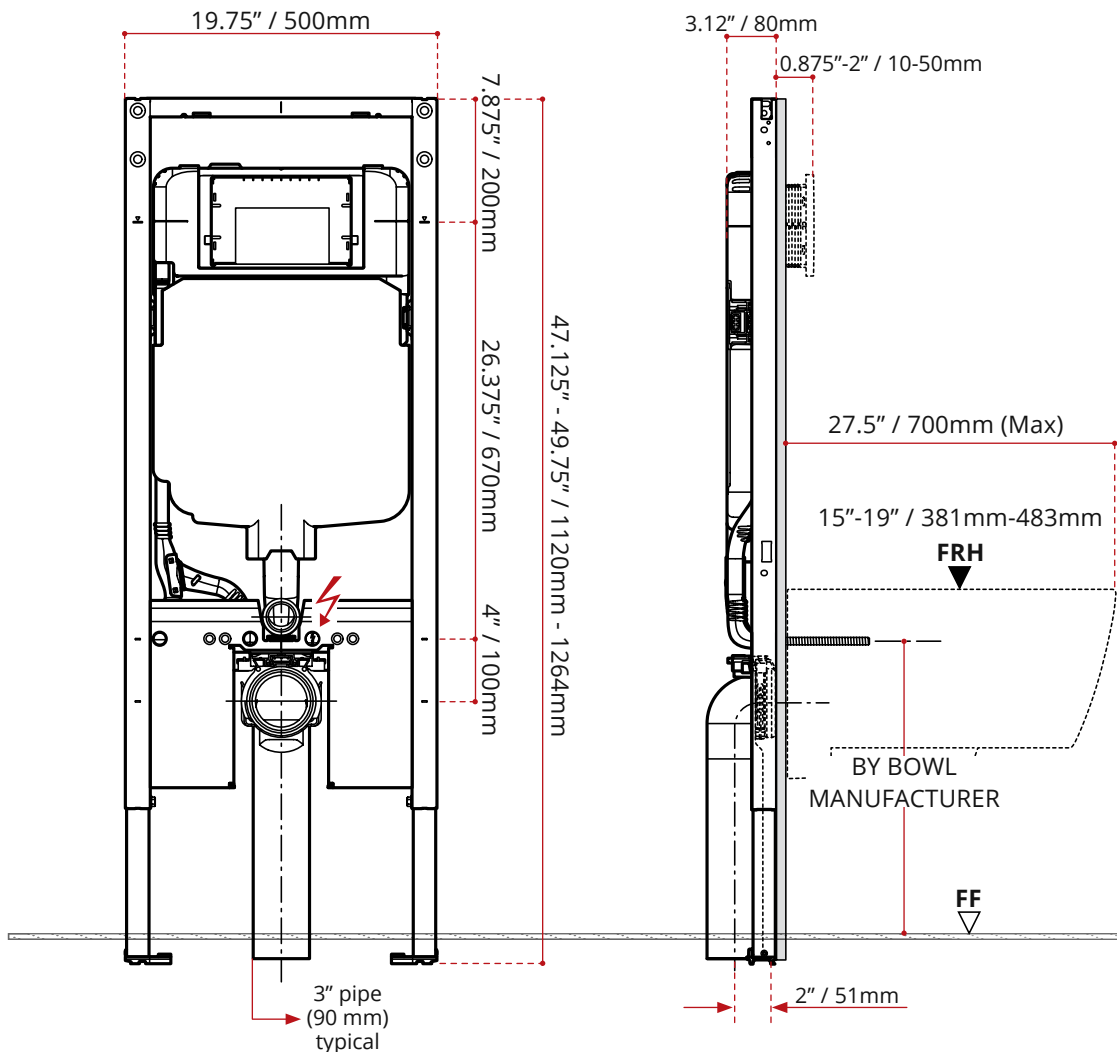




DESCRIPTION:

- Water consumption – Dual-flush system allows 1.28/0.8 GPF (4.8/3 LPF), giving effective flush volume of 1.0 GPF (3.8 LPF)
- Anti-siphon fill valve
- Impact resistant high density polyethylene (HDPE) tank, insulated to prevent condensation
- 16-gauge, powder-coated, structural-steel tubing rated to 880 lbs. (400 kg) without damage to finished wall or carrier unit
- Bowl rim height adjustments from 15" to 19" (381 to 483 mm)
- 47" (1190 mm) nominal frame height
- For finished walls up to 3 1/2" (9 cm) thick
- Medium inspection opening for Sigma series flush actuator plates
- Includes installation and rough-in materials

NOTE: Not intended for installation within outside walls or for use with water supply temperatures less than 32°F (0°C) or greater than 65°F (18°C).



DISCLAIMER: Measurements may vary $\pm \frac{1}{4}$ " (Diagram Not to scale)

These dimensions and specifications are subject to change without notice