

VA151WHT INSTALLATION GUIDE



Thank you for choosing Valley Acrylic Products. This installation manual provides general information on the installation of our products.

All the information in this guide is based upon the most recent product information available at the time of this publication. Valley Acrylic reserves the right to make changes to product characteristics, packaging, or availability at any time without notice.

Thank you for your purchase!



Please unpack and inspect all parts carefully to make sure they are complete and not damaged. If any parts are damaged or missing, please contact the authorized dealer you purchased the product through.

BEFORE YOU BEGIN

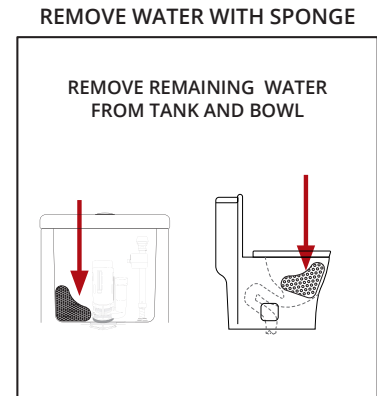
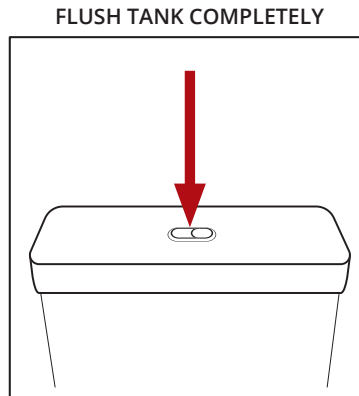
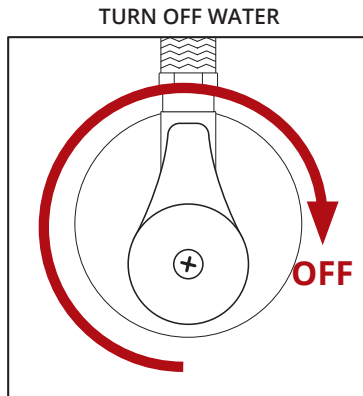
- Please read these instructions carefully before beginning your installation.
- Consult your local building codes to ensure that your installation complies with local standards.
- Remove the unit from its packaging. Before disposing, packaging and taking unit from your sales person, inspect the unit to make sure it is in good shape.
- Should inspection reveal any damage or defect in the finish, please contact the authorized dealer you purchased the product through. The warranty does not cover damages or defects in the finish once the unit has been installed. Valley's responsibility for shipping damages ceases upon delivery of the product in good order to the carrier. All complaints regarding damage due to transport must be made directly to the carrier.
- Please refer to your product's specification sheet and ensure that both your unit and build plan measure match the stated sizes.

REQUIRED TOOLS & MATERIALS

- Putty knife
- Hacksaw
- Flathead screwdriver
- Flexible supply hose
- Adjustable wrench
- Water supply kit
- Sealant
- Carpenters level
- Tape measure

01

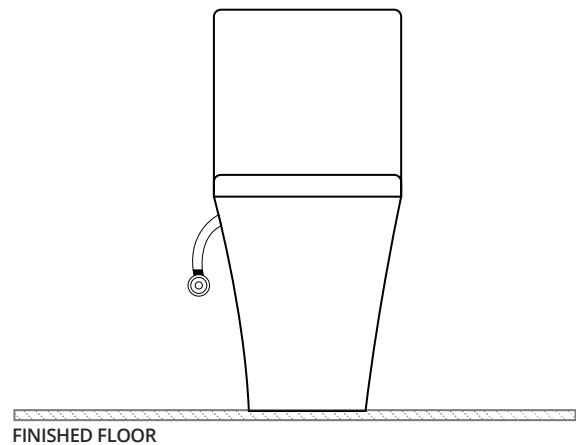
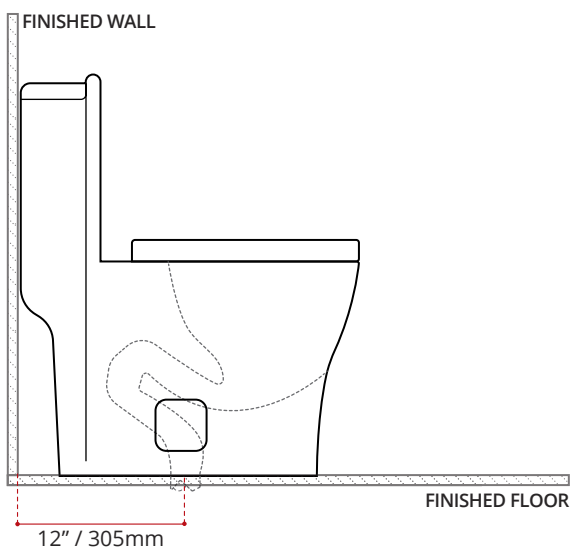
REMOVE OLD TOILET



- Disconnect and remove old water supply line. **NOTE: If replacing valve, first shut off main water supply!**
- Remove old mounting hardware, remove toilet and plug floor flange to block sewer gases from escaping
- Remove closet bolts from flange and clean away old wax, putty, etc from base area

02

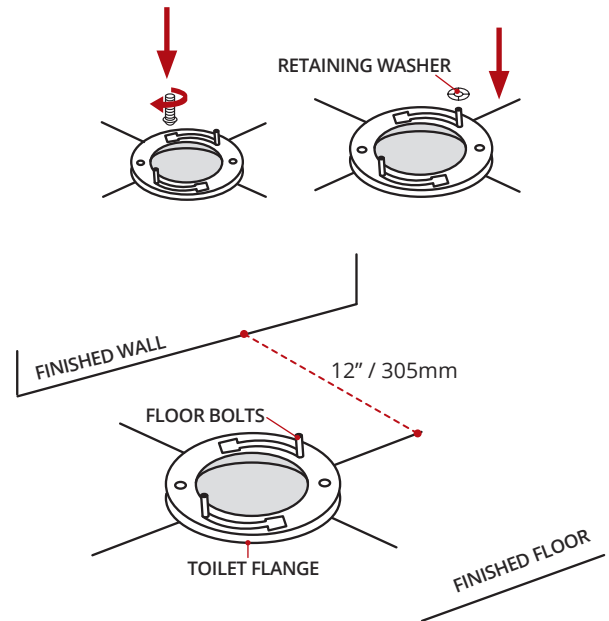
ROUGHING-IN DIMENSIONS:



⚠ NOTE: MOUNTING SURFACE MUST BE CLEAN AND LEVEL BEFORE NEW TOILET IS INSTALLED. ⚠

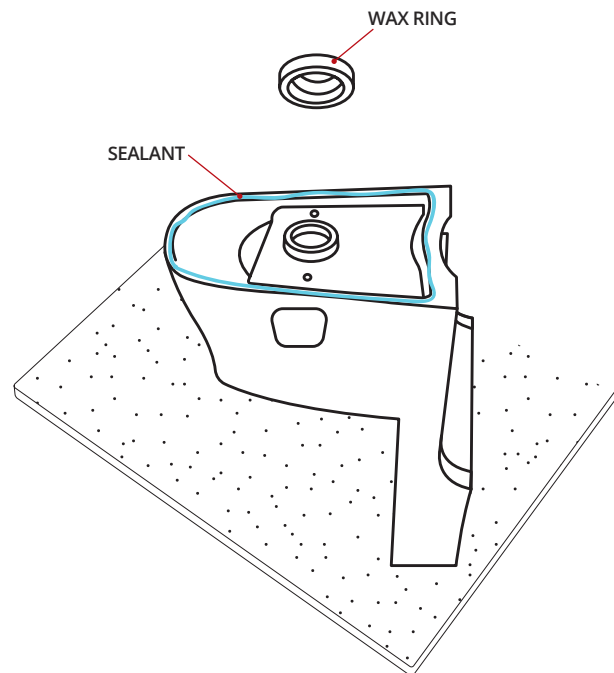
03 INSTALL CLOSET BOLTS

Insert floor bolts into flange channel with bolt head down (use plastic retaining washers to hold the bolts in full-length). Floor bolts should be parallel to wall and 6" (152mm) apart.

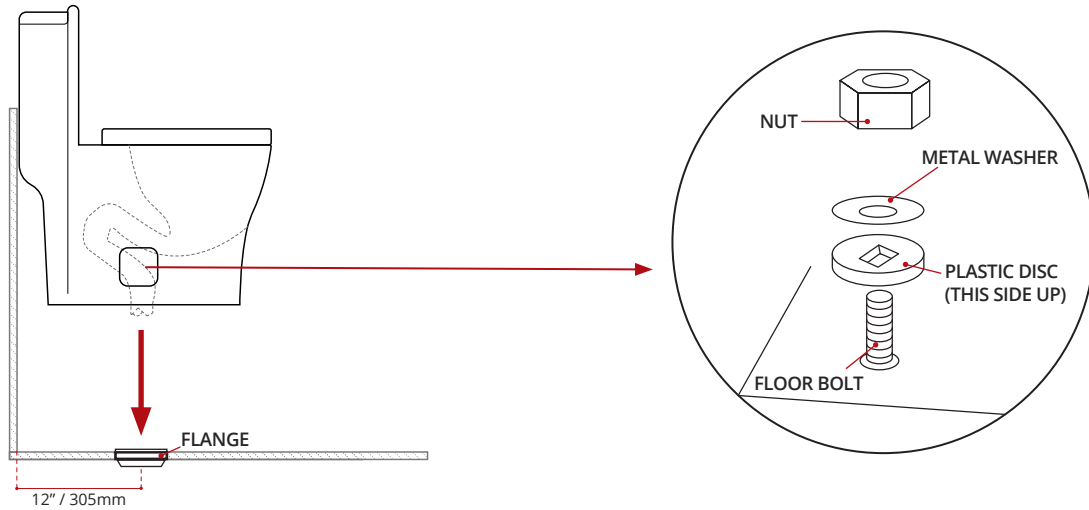


04 INSTALL WAX RING

Turn toilet bowl down onto a towel or cushioned surface. Place the wax ring around the draining outlet of the bowl and press firmly enough. Apply a thin bead of sealant around toilet base.



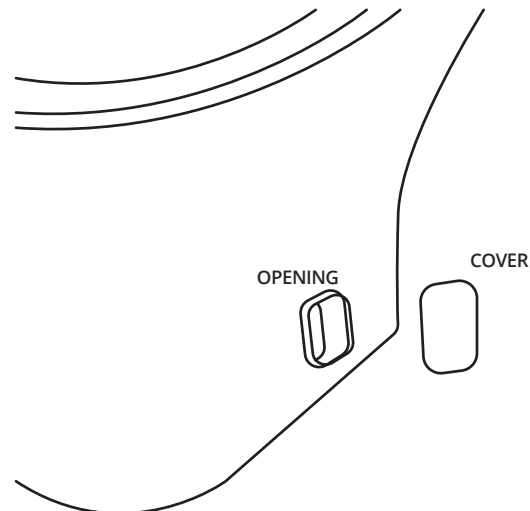
05 POSITION TOILET BOWL ON FLANGE

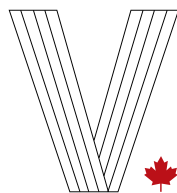


- Unplug floor waste opening, gently place the bowl in position with the floor bolts protruding through the base hole.
- Press down with slight twisting motion on the top center of bowl to compress the wax ring creating a water-tight seal.
- Place plastic disc, metal washers and nuts on floor bolts.

06 INSTALLING THE COVER OF THE FLOOR BOLT

Click the cover into the opening.
Then repeat for the the other side of the toilet.





VALLEY[®]

...you dream it, we create it

Congratulations! You are now a part of the Valley Acrylic family, and an owner of a great product!