



DESCRIPTION:

- Under counter.
- White porcelain.
- With Overflow.
- Cut-out template.
- Complies with CSA & IAPMO standards.

SHIPPING DIMENSIONS

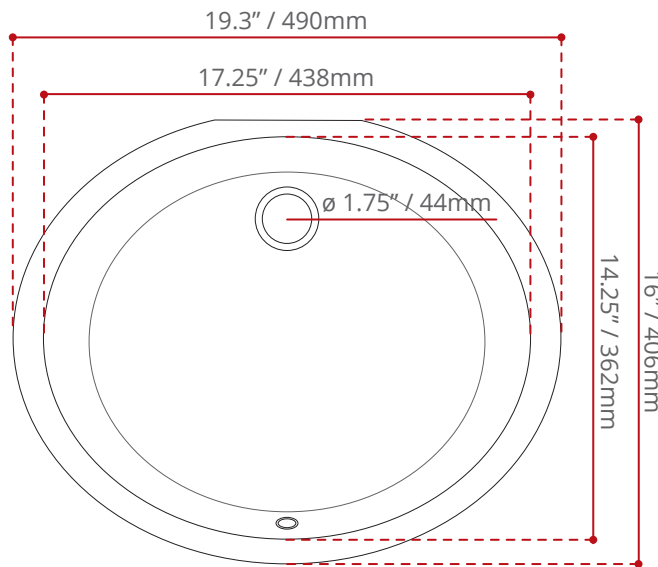
18.25 x 22 x 10.75" / 464 x 559 x 273mm

NET WEIGHT

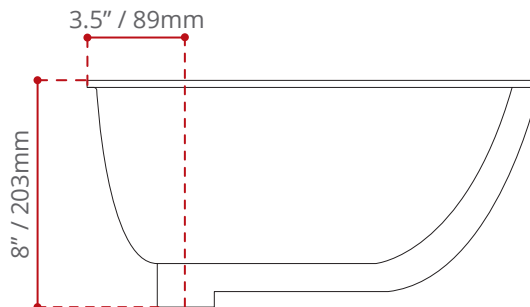
7 KG / 15.4 lbs

GROSS WEIGHT

8 KG / 17.6 lbs



SIDE VIEW:



Measurements may vary ±5mm
- Diagram NOT to scale -

