



**DESCRIPTION:**

- Under counter.
- White porcelain.
- With Overflow.
- Cut-out template.
- Mounting clips included.
- Complies with CSA & IAPMO standards.

**SHIPPING DIMENSIONS**

21.25 x 16.5 x 7.5" / 540 x 381 x 203mm

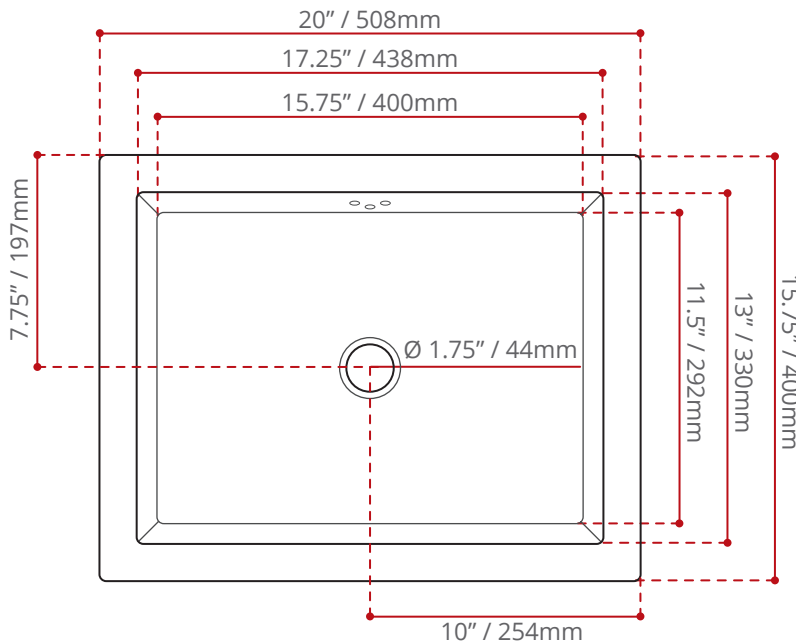
**NET WEIGHT**

12 KG / 26 lbs

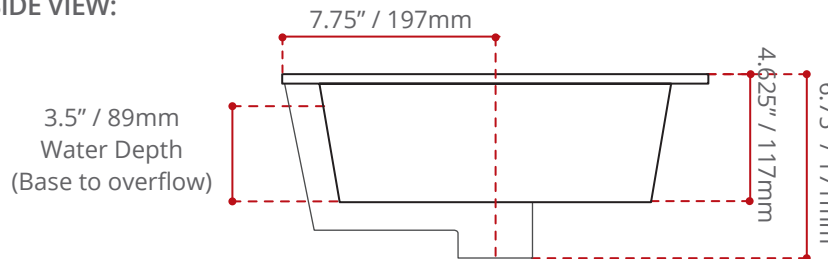
**GROSS WEIGHT**

12.5 KG / 27.5 lbs

**TOP VIEW:**



**SIDE VIEW:**



Measurements may vary ±5mm  
- Diagram NOT to scale -

