



DESCRIPTION:

- Under counter.
- White porcelain.
- With Overflow.
- Cut-out template.
- Mounting clips included.
- Complies with CSA & IAPMO standards.

SHIPPING DIMENSIONS

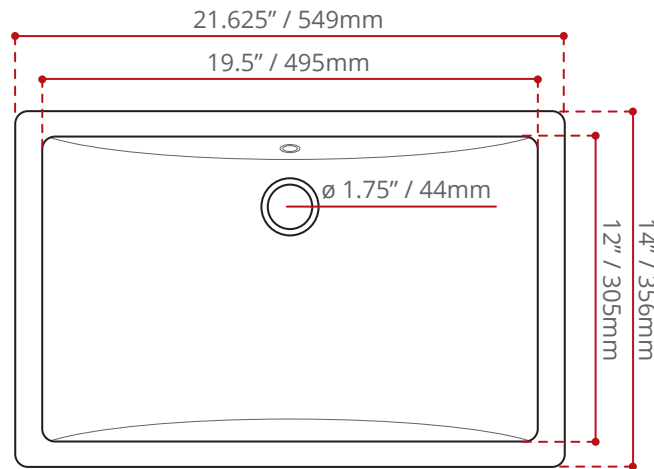
22.5 x 15 x 8" / 572 x 381 x 203mm

NET WEIGHT

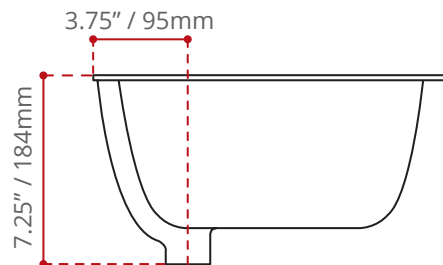
9 KG / 20 lbs

GROSS WEIGHT

9.5 KG / 21 lbs



SIDE VIEW:



Measurements may vary ±5mm
- Diagram NOT to scale -

