

Thank you for choosing Valley Acrylic Products. This installation manual provides general information on the installation of our products.

All the information in this guide is based upon the most recent product information available at the time of this publication. Valley Acrylic reserves the right to make changes to product characteristics, packaging, or availability at any time without notice.

Thank you for your purchase!



Please unpack and inspect all parts carefully to make sure they are complete and not damaged. If any parts are damaged or missing, please contact the authorized dealer you purchased the product through.

BEFORE YOU BEGIN

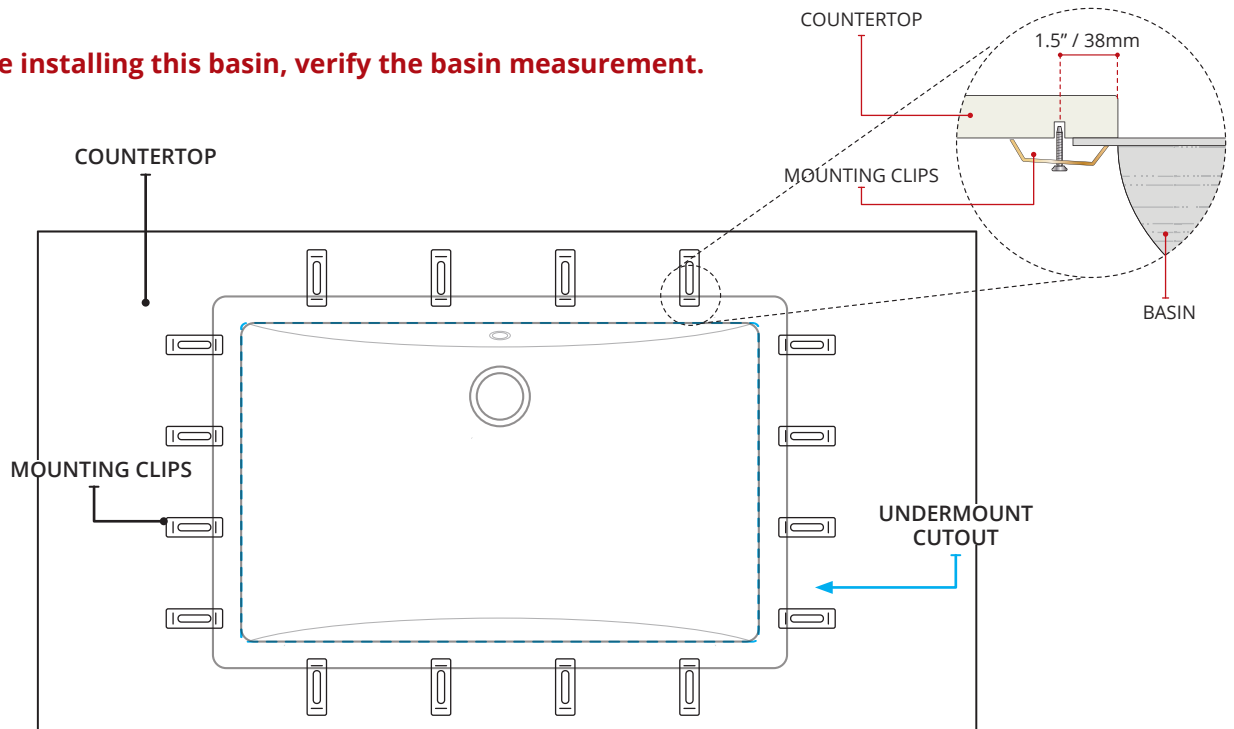
- Please read these instructions carefully before beginning your installation.
- Consult your local building codes to ensure that your installation complies with local standards.
- Remove the unit from its packaging. Before disposing, packaging and taking unit from your sales person, inspect the unit to make sure it is in good shape.
- Should inspection reveal any damage or defect in the finish, please contact the authorized dealer you purchased the product through. The warranty does not cover damages or defects in the finish once the unit has been installed. Valley's responsibility for shipping damages ceases upon delivery of the product in good order to the carrier. All complaints regarding damage due to transport must be made directly to the carrier.
- Please refer to your product's specification sheet and ensure that both your unit and build plan measure match the stated sizes.

REQUIRED TOOLS & MATERIALS

- Eye Protection (Safety glasses / goggles) strongly recommended.
- Ear protection strongly recommended.
- Cut-out template.
- Mounting clips.
- Pencil (not permanent marker)
- Tape measure.
- Jigsaw
- Ball peen hammer
- Silicone sealant
- Wrench



Before installing this basin, verify the basin measurement.



INSTALLATION TYPE

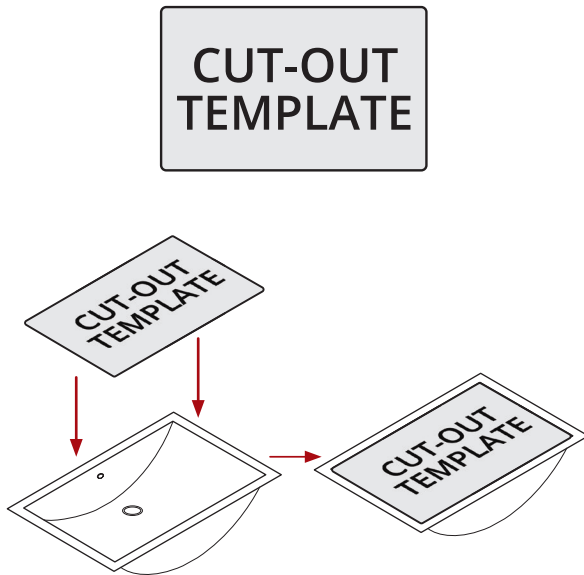
ZERO REVEAL



The countertop meets the edge of the basin, fitting flush with the basin bowl.

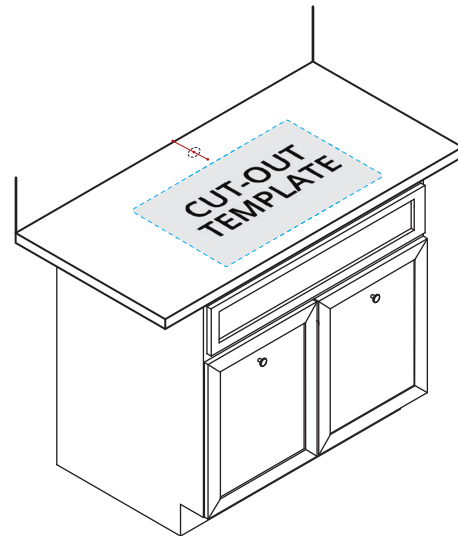
01

Please check actual template against physical basin unit for most accurate cut!



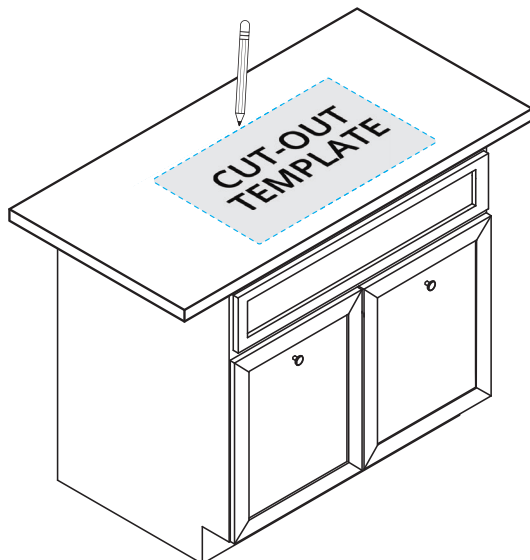
02

Place the template onto the countertop, and make sure that there is enough distance between the faucet and wall. Check whether there is enough space the space under the basin to install the supply and drain pipes.



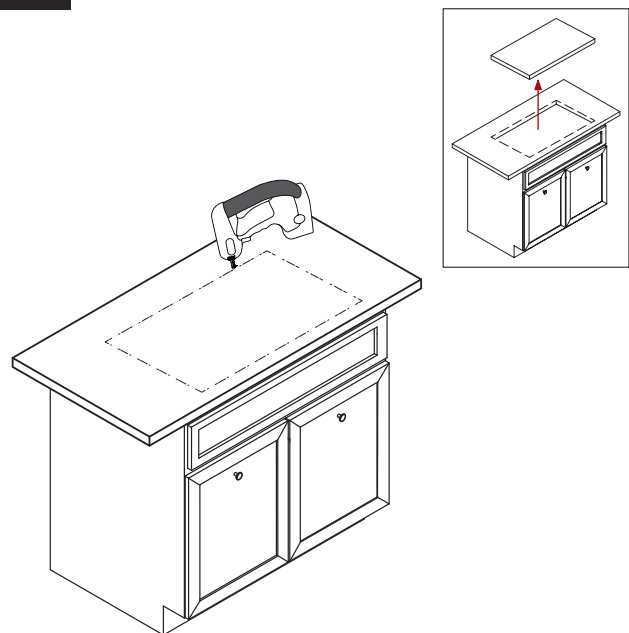
03

Draw a cutting line on the table with a pencil along the template.



04

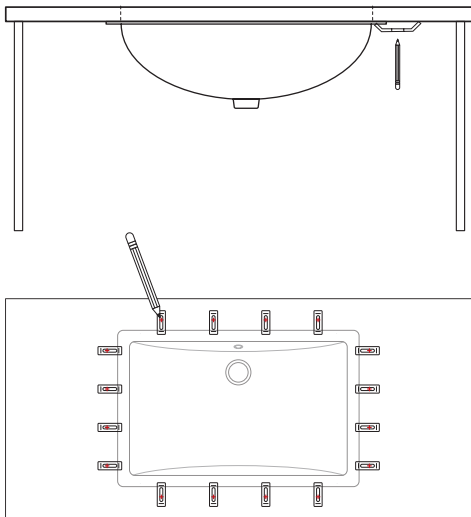
Drill one hole inside the marked cutting line, and cut out the installing hole.



INSTALLATION FOR WOOD TYPE SURFACES

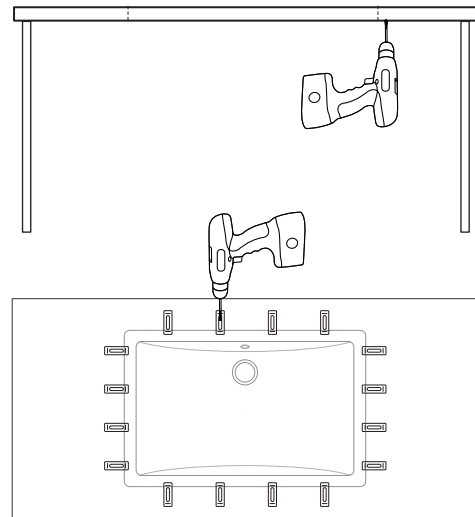
05

Using a pencil, locate and mark the mounting clip onto the countertop.



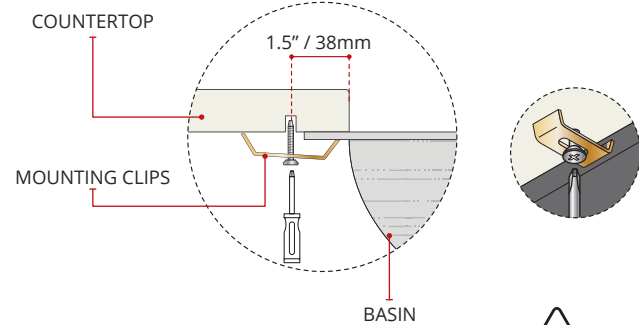
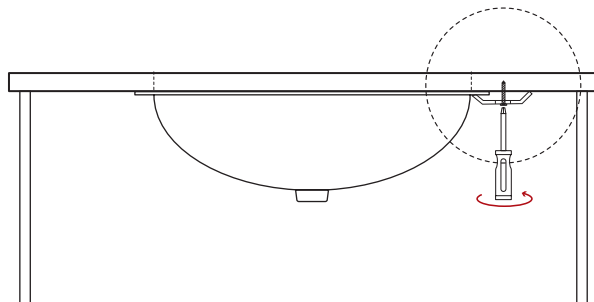
06

Pre-Drill small pilot holes through the countertop



07

Securely screw the basin into the countertop



Tighten the clips.

Fasten screw into pre drill hole tightening the clip against counter and basin.

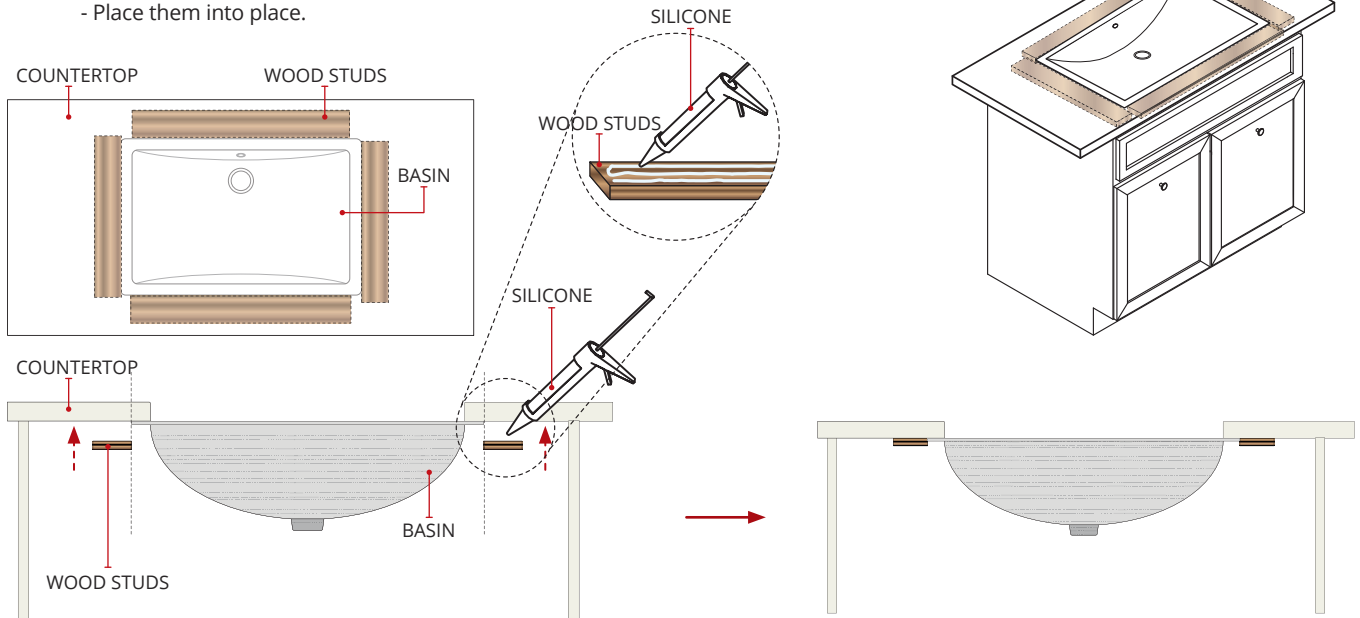
NOTE: do not fully tighten one clip at a time.
After each clip is partially tightened, repeat the process, fully tightening each clip.
This ensures a secure installation and avoids damage to the basin.



INSTALLATION FOR SOLID TYPE SURFACES

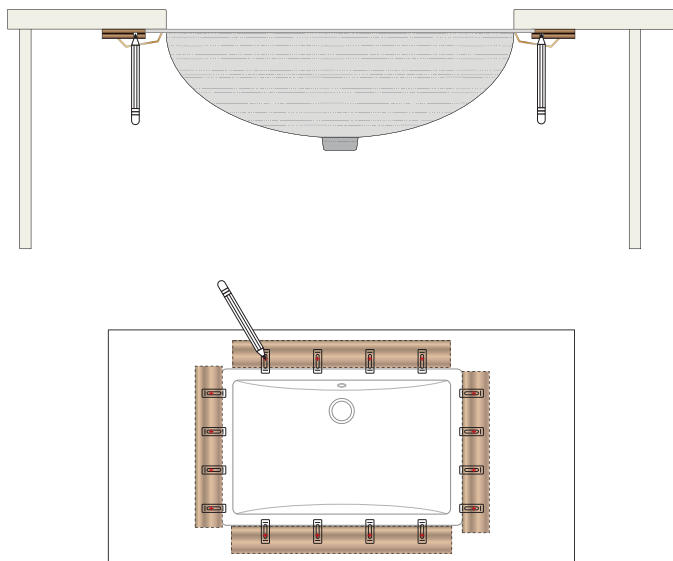
05A

- Place wood studs around the basin edges and countertop opening as shown.
- Apply a bead of 100% silicone to the wood studs.
- Place them into place.



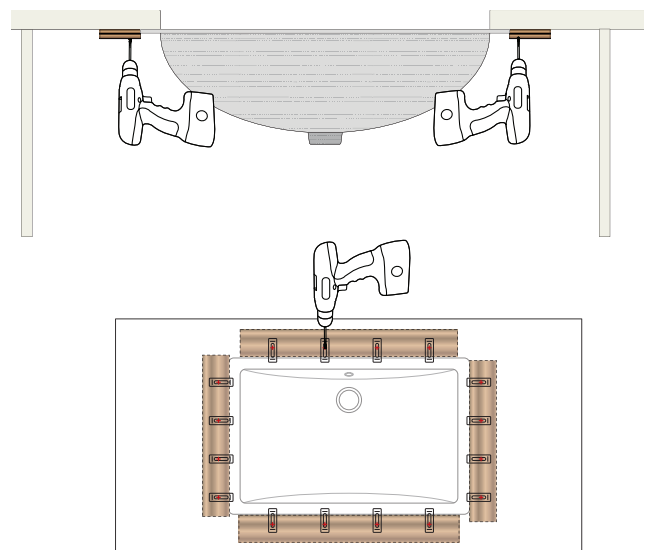
05A

- Using a pencil, locate and mark the mounting clip onto the wood studs.

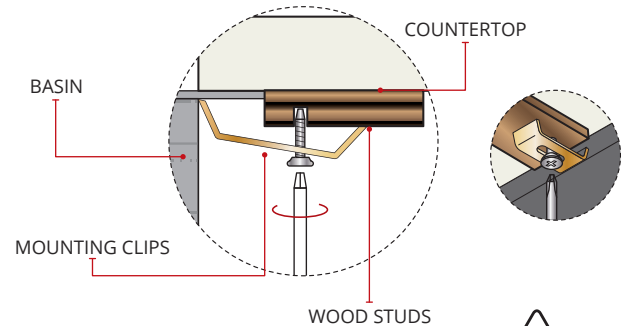
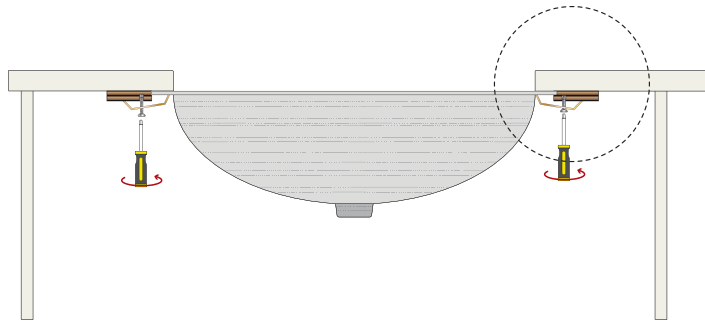


06A

- Pre-Drill small pilot holes through the wood studs



07A Securely screw the basin into the countertop



Tighten the clips.

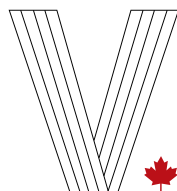
Fasten screw into pre drill hole tightening the clip against wood studs and basin.

NOTE: do not fully tighten one clip at a time.
After each clip is partially tightened, repeat the process, fully tightening each clip.
This ensures a secure installation and avoids damage to the basin.



MAINTENANCE

- For daily cleaning, use hot soapy water and vinegar
- Clean any water stains and dirt on the front panel using a soft cloth only to avoid scratching
- Avoid using any Acidic or Alkaline cleaners to prevent corrosion



VALLEY[®]

...you dream it, we create it

Congratulations! You are now a part of the Valley Acrylic family, and an owner of a great product!