



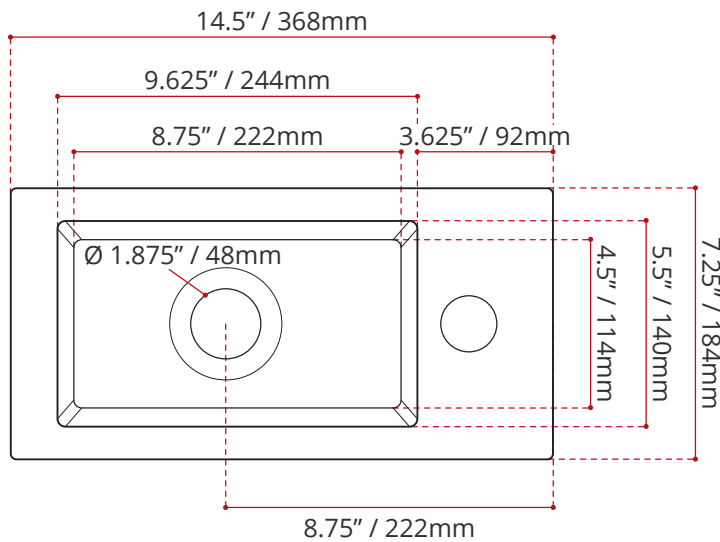
DESCRIPTION

- Above Counter & **LEFT-HAND DRAIN WALL MOUNT INSTALLATION**
- Comes with mounting hardware
- No overflow
- Single-hole faucet drilling
- Drain not included
- Complies with CSA & IAPMO standards

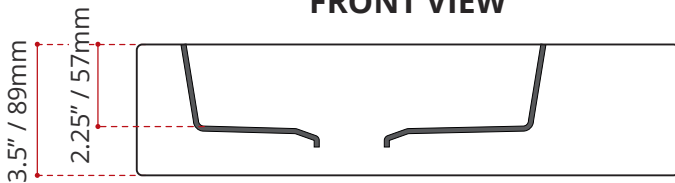
SHIPPING INFORMATION

- Length: 15.2" / 386mm
- Net Weight: 4 kg / 8.8 lbs.
- Width: 7.8" / 198mm
- Gross Weight: 7 kg / 15.4 lbs.
- Height: 4.3" / 109mm

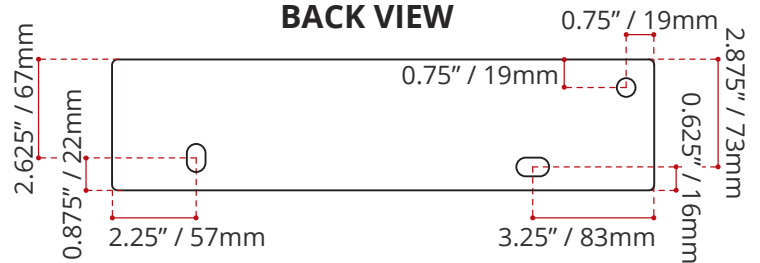
TOP VIEW



FRONT VIEW



BACK VIEW



DISCLAIMER: Measurements may vary $\pm \frac{1}{4}$ " (Diagram Not to scale)

