



Product images are for illustration purposes only. Actual product(s) may vary.

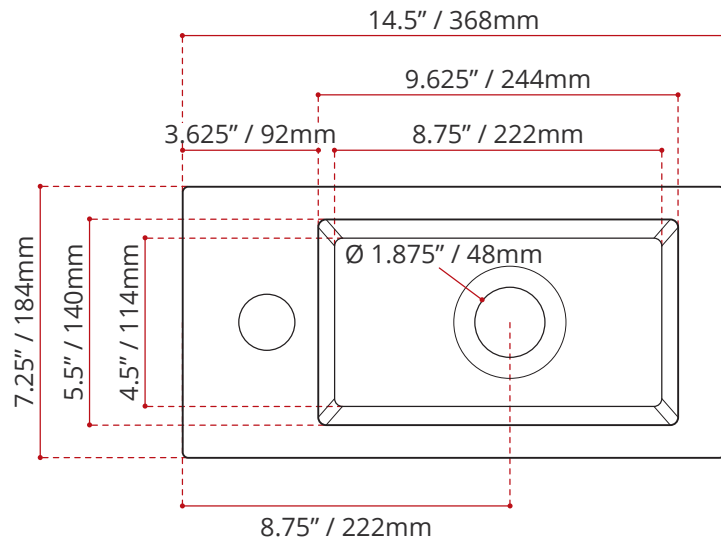
DESCRIPTION

- Above Counter & **RIGHT-HAND DRAIN WALL MOUNT INSTALLATION**
- Comes with mounting hardware
- No overflow
- Single-hole faucet drilling
- Drain not included
- Complies with CSA & IAPMO standards

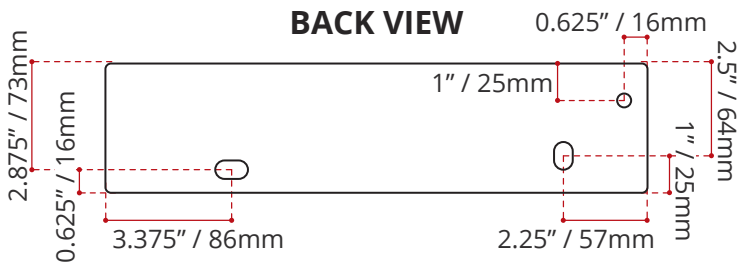
SHIPPING INFORMATION

- Length: 15.2" / 386mm
- Net Weight: 4 kg / 8.8 lbs.
- Width: 7.8" / 198mm
- Gross Weight: 7 kg / 15.4 lbs.
- Height: 4.3" / 109mm

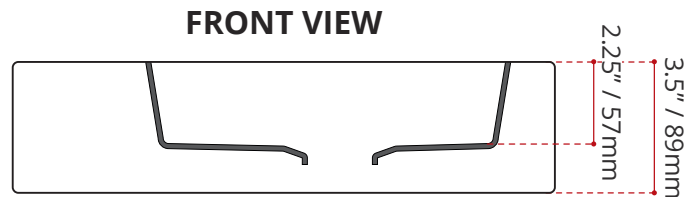
TOP VIEW



BACK VIEW



FRONT VIEW



DISCLAIMER: Measurements may vary \pm 1/4" (Diagram Not to scale)

