

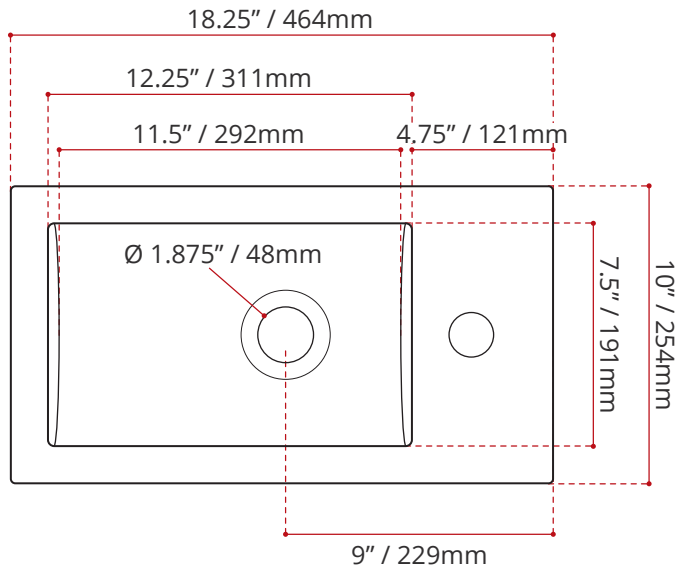


Product images are for illustration purposes only. Actual product(s) may vary.

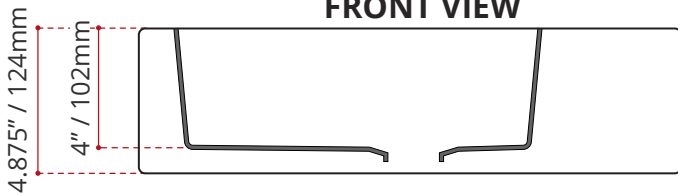
DESCRIPTION
<p>• Above Counter & LEFT-HAND DRAIN WALL MOUNT INSTALLATION</p> <p>• Comes with mounting hardware</p> <p>• No overflow</p> <p>• Single-hole faucet drilling</p> <p>• Drain not included</p> <p>• Complies with CSA & IAPMO standards</p>

SHIPPING INFORMATION
<p>• Length: 16.75" / 425mm • Net Weight: 7 kg / 15.4 lbs.</p> <p>• Width: 10.6" / 269mm • Gross Weight: 10 kg / 22 lbs.</p> <p>• Height: 5.5" / 140mm</p>

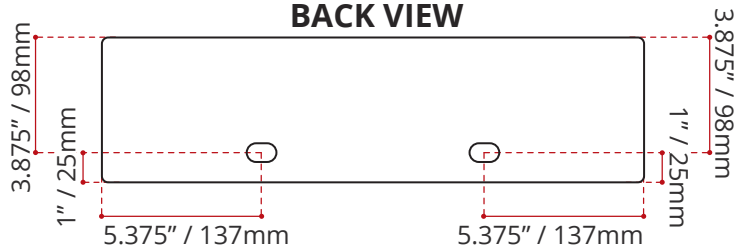
TOP VIEW



FRONT VIEW



BACK VIEW



DISCLAIMER: Measurements may vary $\pm \frac{1}{4}$ " (Diagram Not to scale)

