

123.725.100
8" SHOWER ARM

9200.750.110
SHOWER HEAD



T751.697.100
SQUARE TRIM KIT



CONFIGURATION

The VABSRK04 comes with the following products:

- **123.725.100**
8" Shower Arm
- **9200.750.110**
6" Square Rain Shower Head
- **000.697.000**
Universal Rough-in
- **T751.697.100**
Square Trim Kit

FINISH



Chrome

CERTIFICATIONS

CSA B125.1-11
ASME A112.18.1-2011

WARRANTY

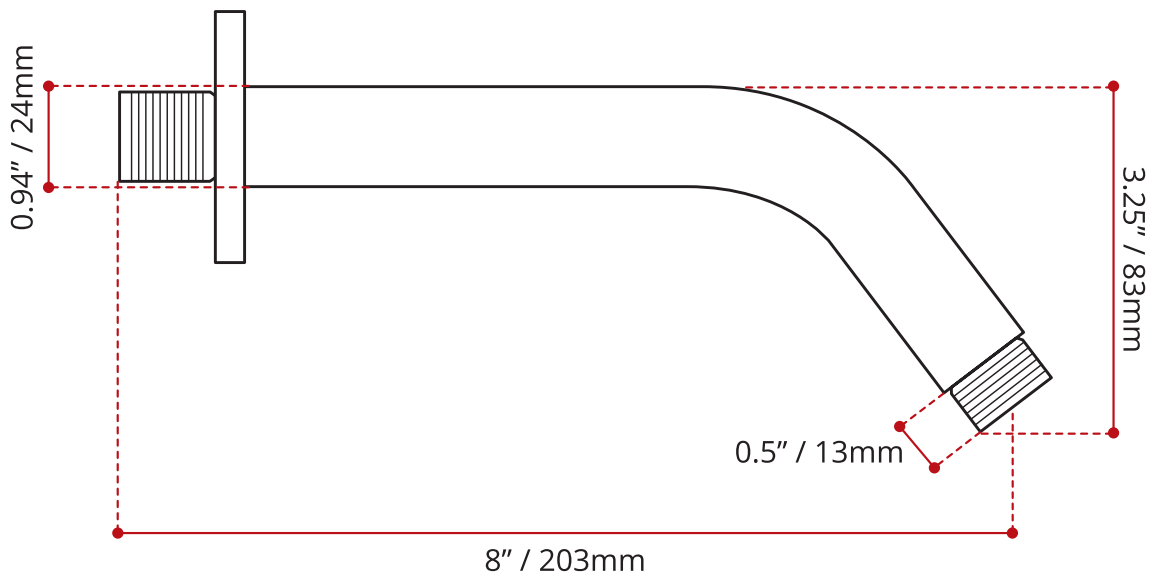
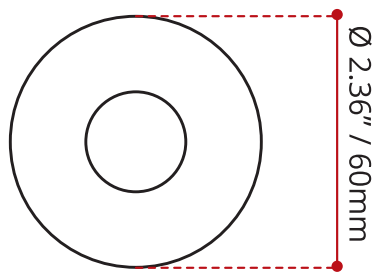
Residential: These products have a limited 1 year warranty period, with the exception of the cartridges which have a limited lifetime warranty period of ten (10) years for multi-family residential applications from the original purchase date against any failure from improper manufacturing defects.

Commercial: These products have a limited 1 year warranty period, with the exception of the cartridges which have a limited lifetime warranty period of five (5) years from the original purchase date against any failure from improper manufacturing defects. (If you can present your proof of purchase, we will provide the replacement cartridge at no charge to you.)

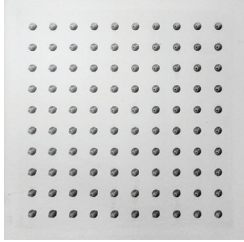


123.725.100
8" SHOWER ARM WITH FLAT FLANGE

- Round cover.
- Chrome finish
- 1/2" NPT Male inlet
- G1/2" Male thread.



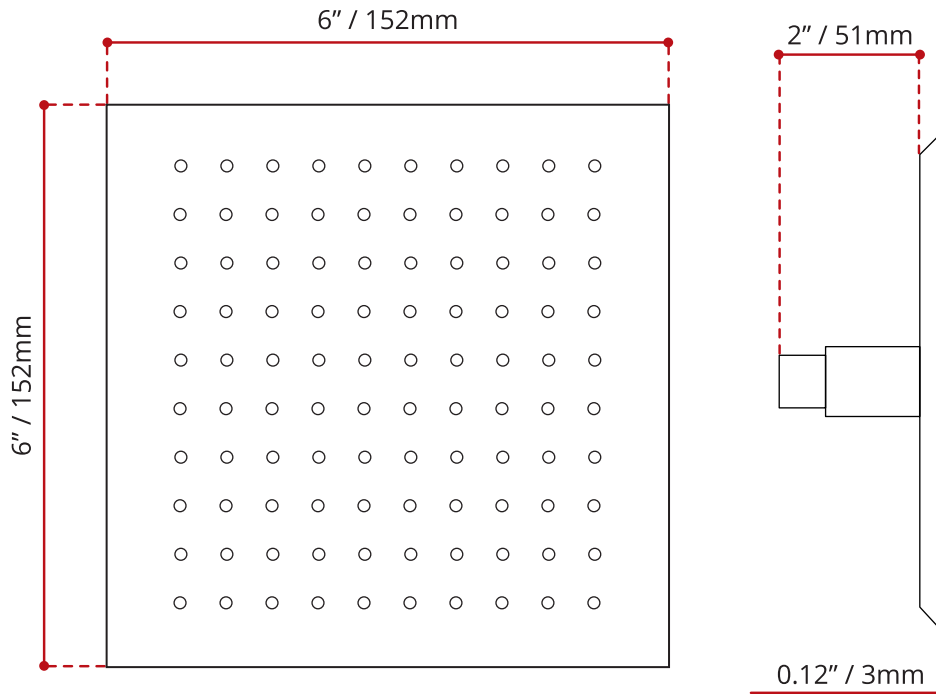
DISCLAIMER: Measurements may vary $\pm \frac{1}{4}$ " (Diagram Not to scale)



Product images are for illustration purposes only. Actual product(s) may vary.

9200.750.110
6" SQUARE RAIN SHOWER HEAD

- Polished stainless steel body.
- Easy-clean anti-lime.
- 1/2" NPT female inlet.
- Complies with CSA standards



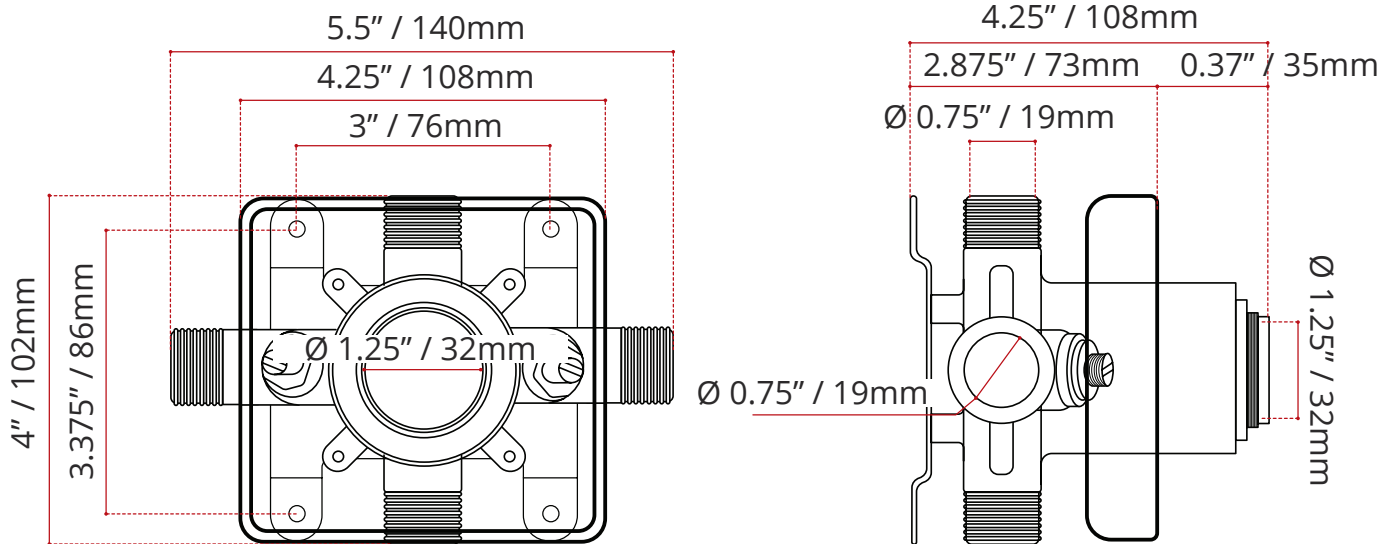
DISCLAIMER: Measurements may vary \pm 1/4" (Diagram Not to scale)



Product images are for illustration purposes only. Actual product(s) may vary.

000.697.000
UNIVERSAL ROUGH-IN

- Solid brass construction
- Back-to-Back installation capabilities
- Square plasterguard allows for right angle cuts
- Thin wall mounting
- Test cap included
- Complies with CSA standards

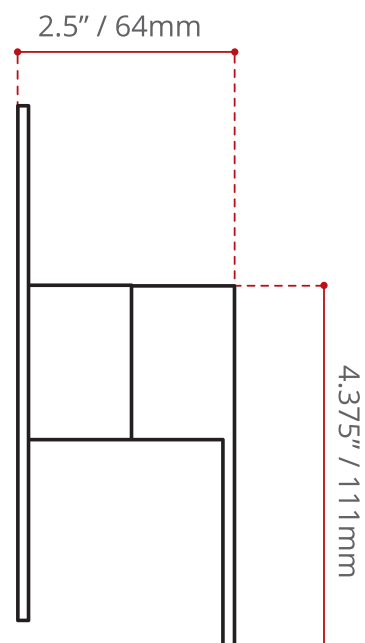
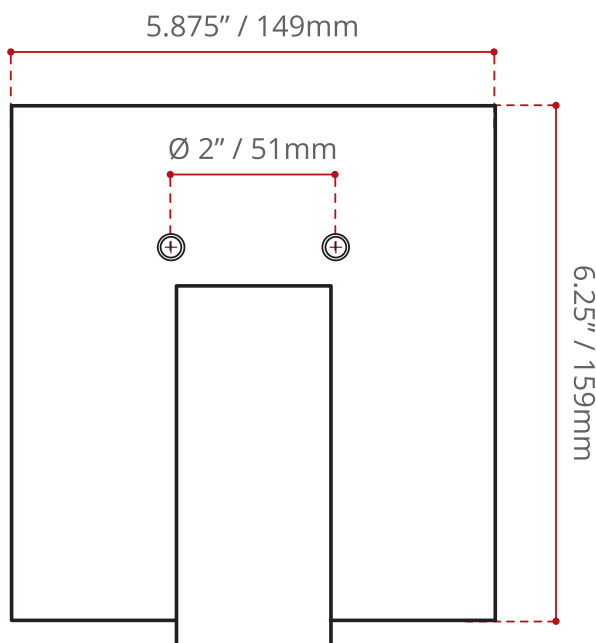


DISCLAIMER: Measurements may vary $\pm \frac{1}{4}$ " (Diagram Not to scale)



T751.697.100
SQUARE TRIM KIT

- Single Handle Square trim kit
- For use with 000.697.000 Universal rough-in
- Rough-in not included
- Chrome finish
- High quality, drip-free ceramic cartridge
- Corrosion & discolouration resistant
- Complies with CSA & IAPMO standards



DISCLAIMER: Measurements may vary $\pm \frac{1}{4}$ " (Diagram Not to scale)