



CONFIGURATION

The VASRSHK02 comes with the following products:

- **120.735.100**
9" Square shower arm
- **9200.750.110**
6" Square Rain shower head
- **000.692.00**
Universal two handle Thermostat with built-in two way diverter Rough-in.
- **T184.692.100**
Square Trim Kit with two way diverter
- **184.015.100-1**
Square hand shower with volume control kit
- **184.432.100**
Bath Spout

FINISH



CHROME FINISH

CERTIFICATIONS

CSA B125.1-11
ASME A112.18.1-2011

WARRANTY

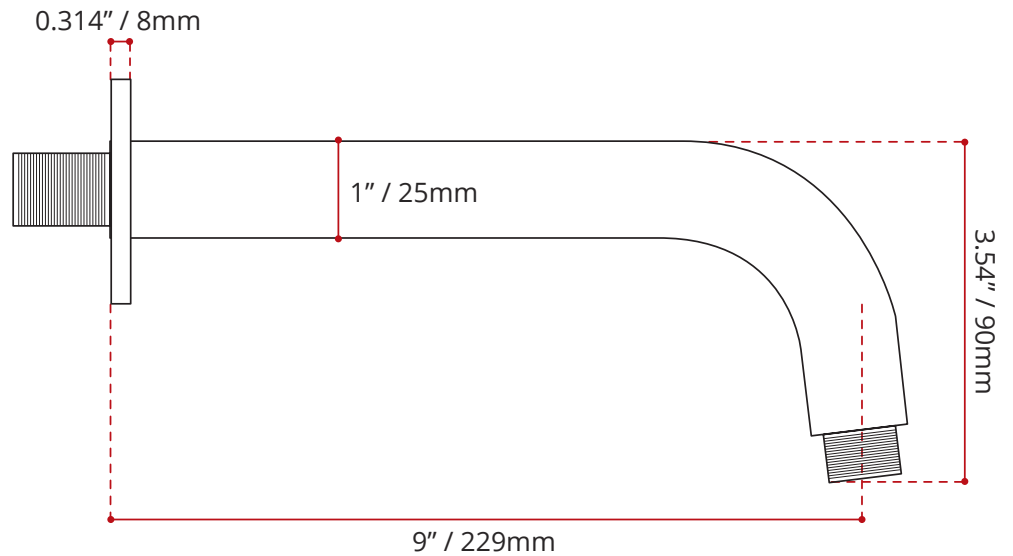
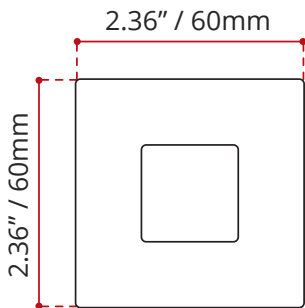
Residential: These products have a limited 1 year warranty period, with the exception of the cartridges which have a limited lifetime warranty period of ten (10) years for multi-family residential applications from the original purchase date against any failure from improper manufacturing defects.

Commercial: These products have a limited 1 year warranty period, with the exception of the cartridges which have a limited lifetime warranty period of five (5) years from the original purchase date against any failure from improper manufacturing defects. (If you can present your proof of purchase, we will provide the replacement cartridge at no charge to you.)

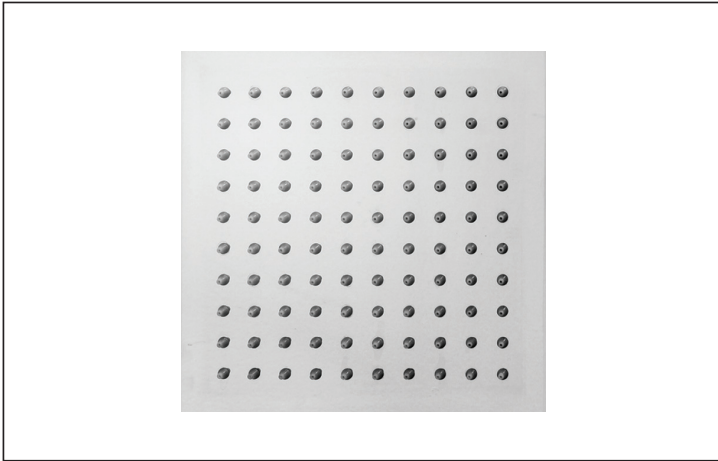


120.735.100
9" SQUARE SHOWER ARM

- Square cover
- Brass body
- Chrome finish.
- 1/2" NPT Male inlet
- G1/2" Male thread

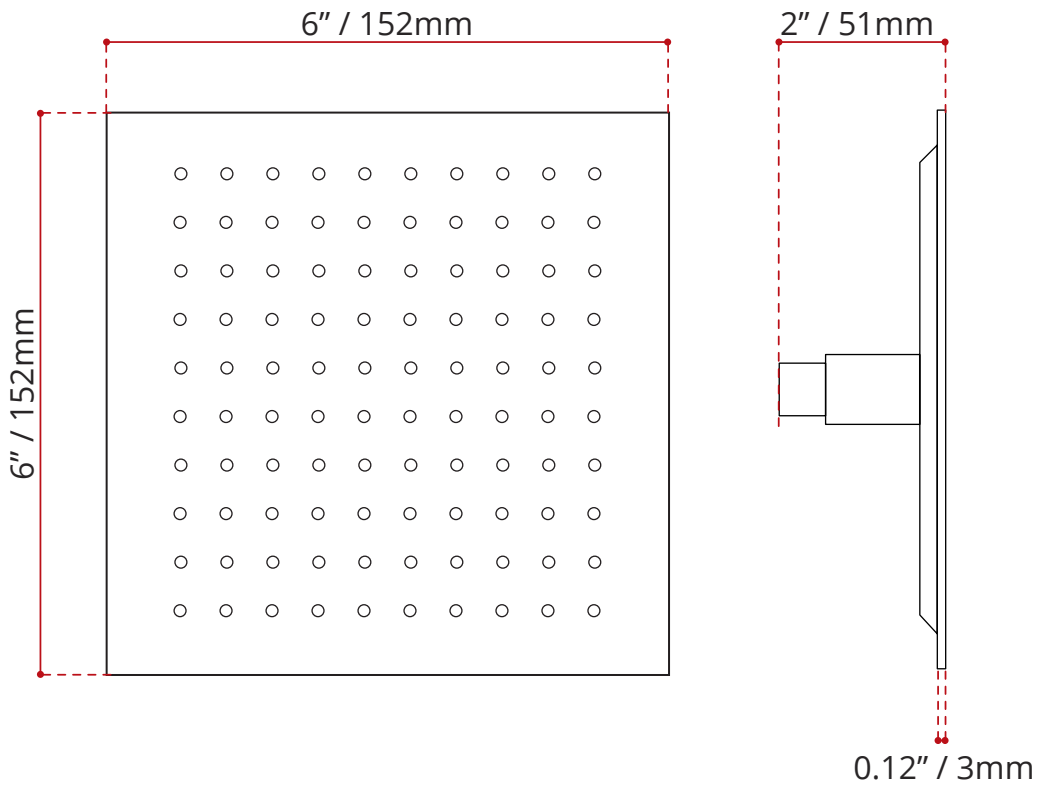


DISCLAIMER: Measurements may vary $\pm \frac{1}{4}$ " (Diagram Not to scale)

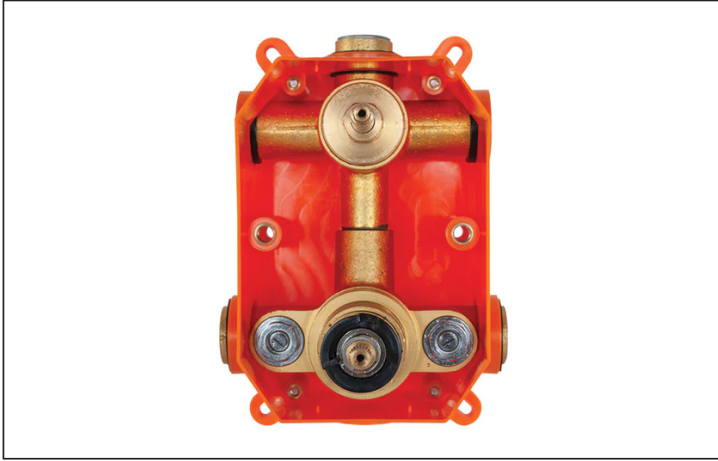


9200.750.110
6" SQUARE RAIN SHOWER HEAD

- Polished stainless steel body
- Chrome finish
- Easy-clean anti-lime
- 1/2" NPT female inlet
- Complies with CSA standards

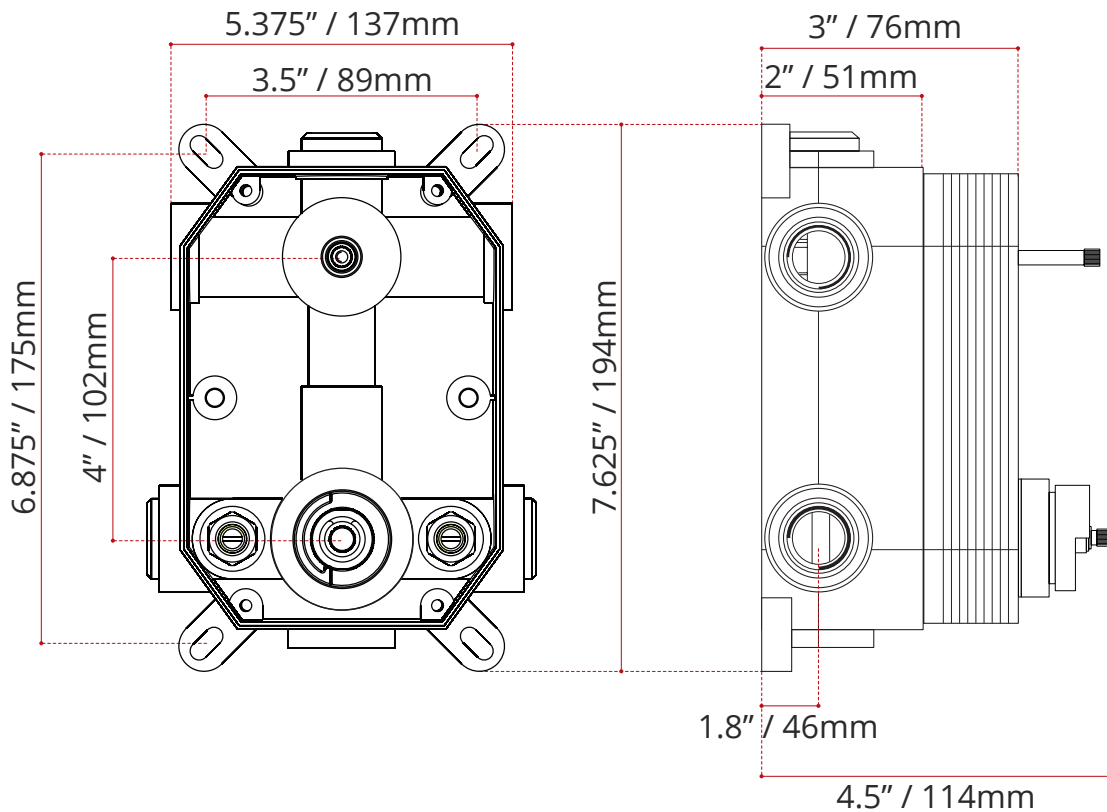


DISCLAIMER: Measurements may vary $\pm \frac{1}{4}$ " (Diagram Not to scale)



000.692.000
UNIVERSAL 2 HANDLE THERMOSTAT
WITH BUILT-IN 2 WAY DIVERTER

- High quality brass casting for durability and long life
- Back-to-Back installation capabilities
- Thin wall mounting
- Complies with CSA standards
- Pressure: 60PSI
- Flow Rate: 20LPM

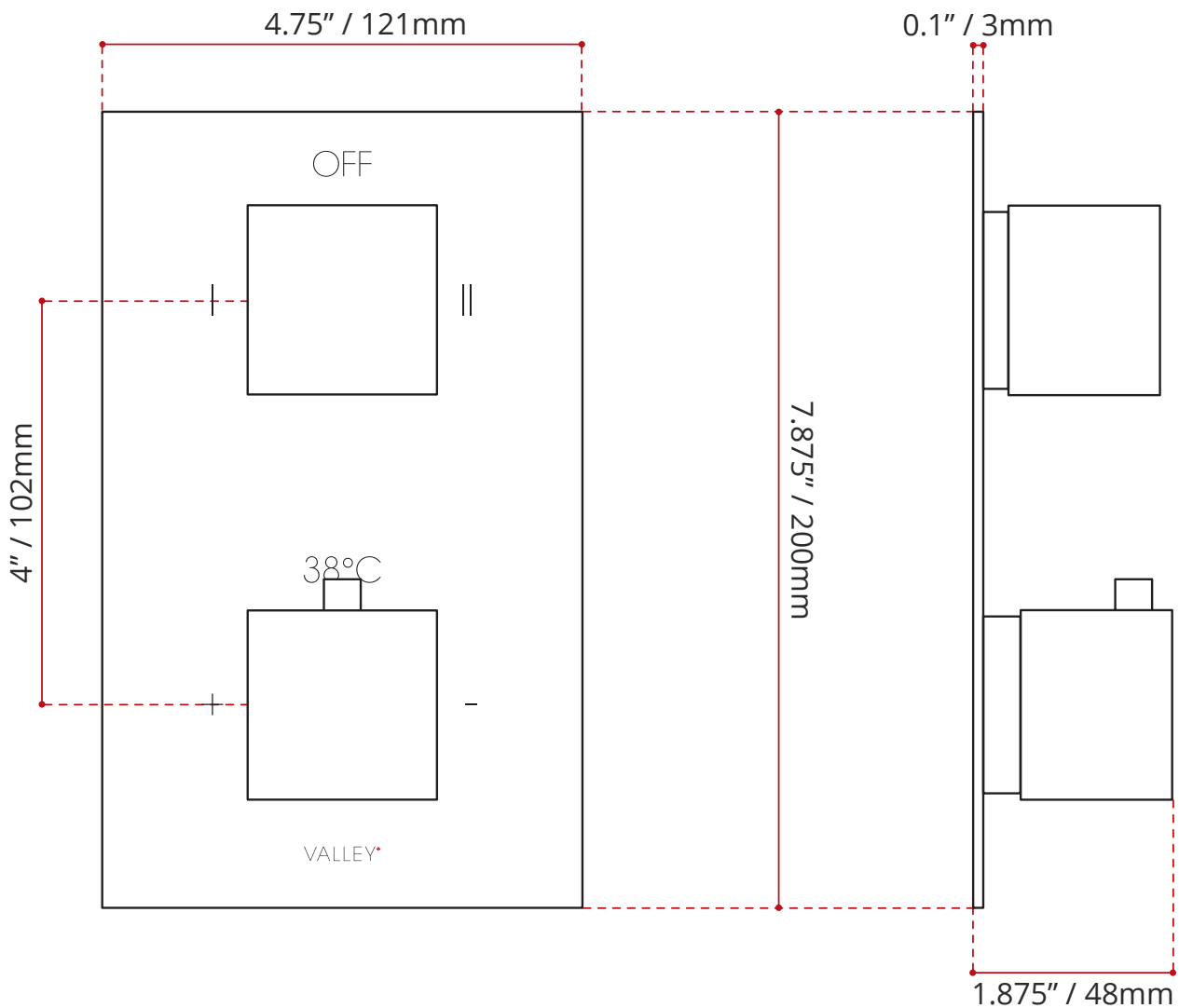


DISCLAIMER: Measurements may vary $\pm \frac{1}{4}$ " (Diagram Not to scale)



T184.692.100
SQUARE TRIM KIT

- Double handle square trim kit with 2 way built-in diverter
- Chrome finish
- Corrosion & discolouration resistant
- Complies with CSA & IAPMO standards

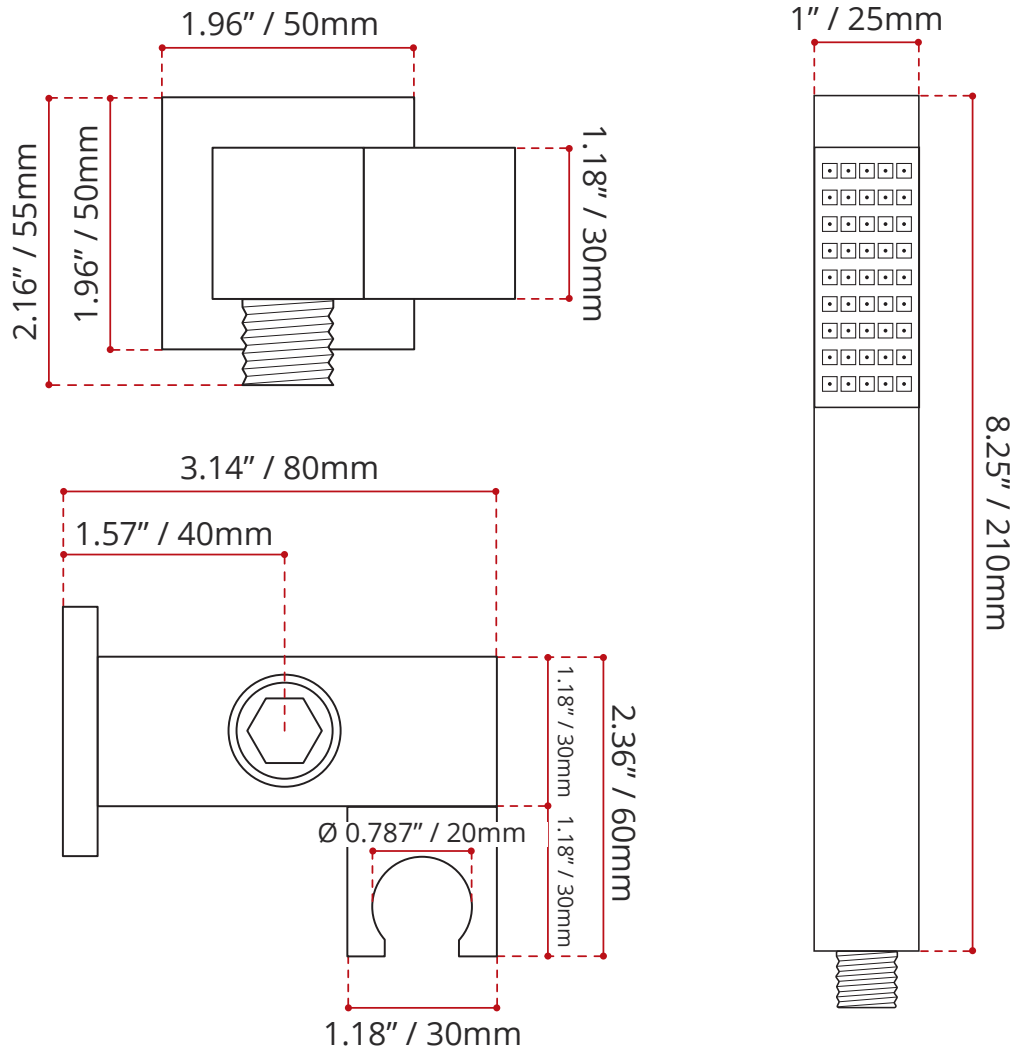


DISCLAIMER: Measurements may vary $\pm \frac{1}{4}$ " (Diagram Not to scale)



184.015.100-1
SQUARE HAND SHOWER

- Cube shower holder
- Square shower hand
- Removable plate
- Brass body with chrome finish
- 59" flexible reinforced stainless steel supply hose
- Corrosion & discolouration resistant
- Complies with CSA & IAPMO standards

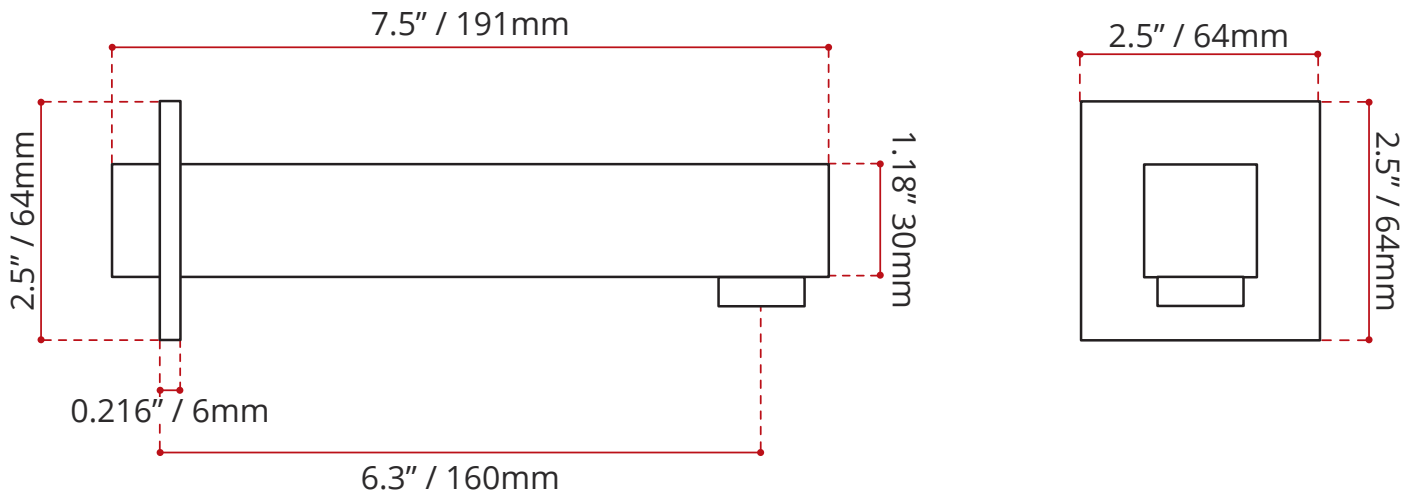


DISCLAIMER: Measurements may vary $\pm \frac{1}{4}"$ (Diagram Not to scale)



184.432.100
BATH SPOUT

- Square Flange
- No Diverter
- 1/2" FIP & or 1/2" Copper Sweat Connection
- Chrome finish
- Brass body



DISCLAIMER: Measurements may vary ± 1/4" (Diagram Not to scale)